



WEBER-STEPHEN PRODUCTS CO.  
PALATINE, ILLINOIS 60067

# Addendum to the Side Burner Installation

**Prior to attaching side burner hose: Remove the protective brass cap from the side burner fitting.**

**Caution: Make sure gas supply is turned off; e.g.: L.P. cylinder valve off, natural gas shut off valve turned off.**

Use a 11/16 open end or an adjustable wrench to remove the protective brass cap from the side burner fitting on the manifold. Figure 1 for a Genesis 3. Figure 2 for a Genesis 5.

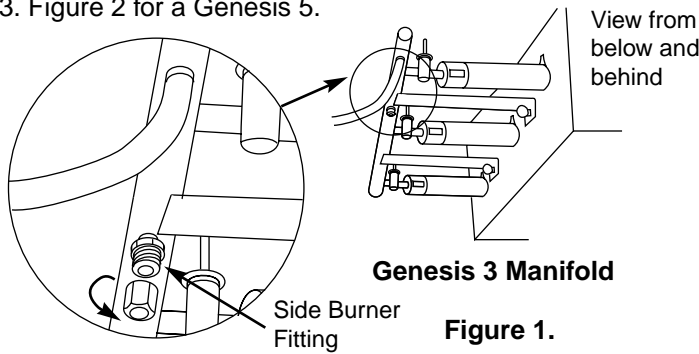
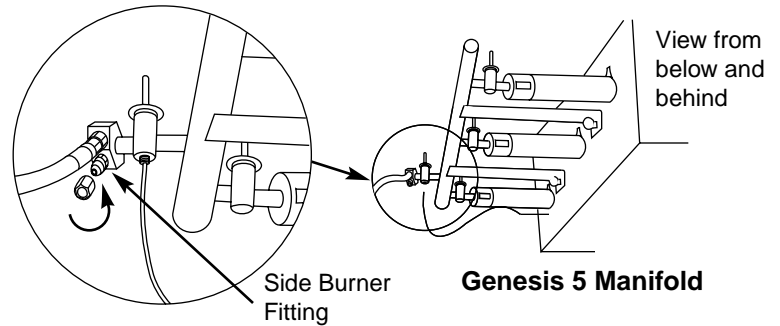


Figure 1.



Genesis 5 Manifold

Figure 2.

**Caution; when removing the cap you may require a second wrench to "hold" the side burner fitting to keep it from loosening.**

**If the side burner fitting should loosen, tighten, before attaching side burner hose.**

Follow the step in your Owner's Manual for side burner installation.

4736912 1/89



WEBER-STEPHEN PRODUCTS CO.  
PALATINE, ILLINOIS 60067

# Addendum to the Side Burner Installation

**Prior to attaching side burner hose: Remove the protective brass cap from the side burner fitting.**

**Caution: Make sure gas supply is turned off; e.g.: L.P. cylinder valve off, natural gas shut off valve turned off.**

Use a 11/16 open end or an adjustable wrench to remove the protective brass cap from the side burner fitting on the manifold. Figure 1 for a Genesis 3. Figure 2 for a Genesis 5.

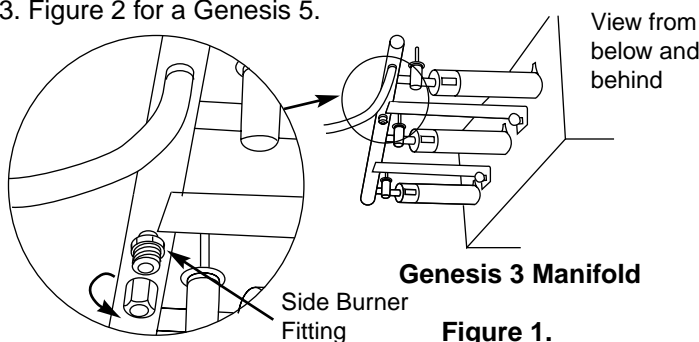
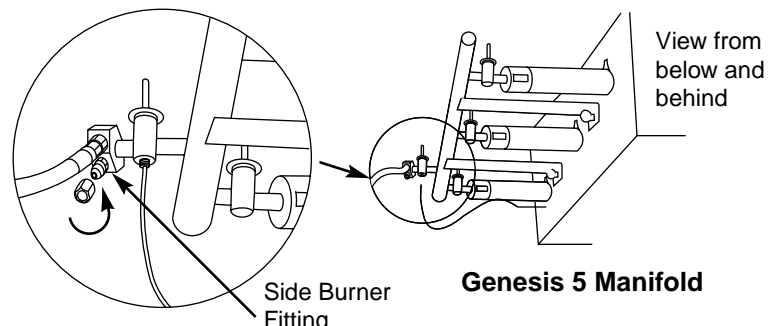


Figure 1.



Genesis 5 Manifold

Figure 2.

**Caution; when removing the cap you may require a second wrench to "hold" the side burner fitting to keep it from loosening.**

**If the side burner fitting should loosen, tighten, before attaching side burner hose.**

Follow the step in your Owner's Manual for side burner installation.

4736912 1/89