



Built-In Natural Gas Burner Station Installation Guide



Vieluxe® Slide-In Dual Burner Station
(Model #: 36152)



Vieluxe® Countertop Dual Burner Station
(Model #: 37152)

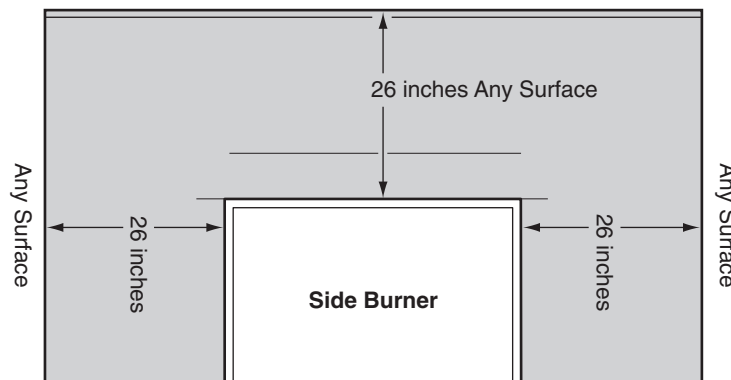
THIS GAS APPLIANCE IS DESIGNED FOR OUTDOOR USE ONLY.

LOCATING YOUR SIDE BURNER

When determining a suitable location for your side burner installation, give attention to concerns such as exposure to wind, proximity to traffic paths, and keeping any gas supply lines as short as possible. Never locate the Vieluxe® side burner in a garage, breezeway, shed, under an unprotected overhang, or other enclosed area. Locate the burner station and structure so there is enough room to safely evacuate the area in case of a fire.

CLEARANCE FROM COMBUSTIBLE SURFACES OR STRUCTURES

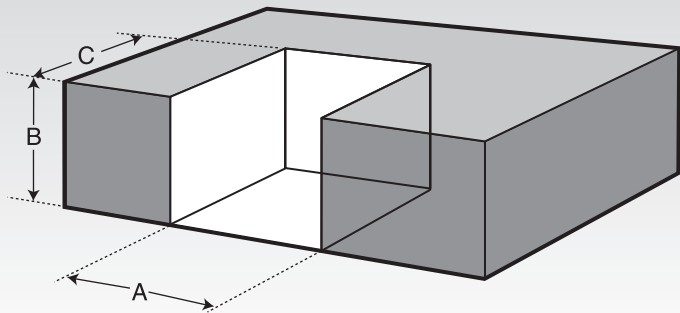
⚠WARNING: Clearance from any surface or structure is 26 inches from the back and sides of the burner station. Refer to “Typical Gas Supply Installation” before starting installation.



⚠WARNING: The structure, “island”, countertops, and adjacent work areas for the built-in burner station installation must be built from non-combustable materials only.

NOTE: If you have questions on what materials are considered non-combustable, contact your local building supplier or fire department.

BUILT-IN STRUCTURE CUTOUT DIMENSIONS

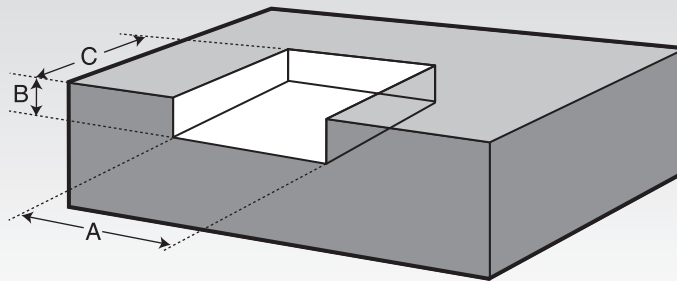


Slide-In Burner Station

SLIDE-IN CUTOUT DIMENSIONS

	Slide-In Burner Station	Tolerances
DIMENSIONS	A	28 ³ / ₄ " + ¹ / ₄ " - ¹ / ₄ "
	B	36" + ¹ / ₄ " - ¹ / ₄ "
	C	22 ¹ / ₂ " + ¹ / ₄ " - ¹ / ₄ "

All dimensions are to finished surfaces.



Countertop Burner Station

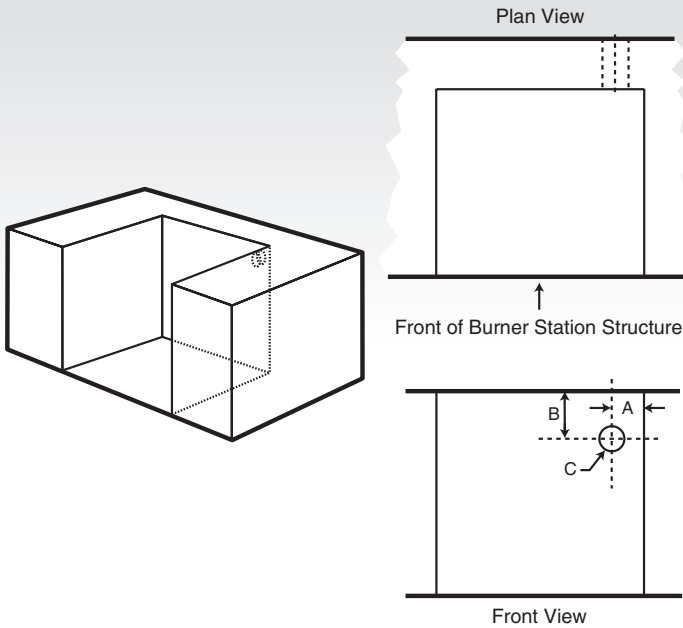
COUNTERTOP CUTOUT DIMENSIONS

	Countertop Burner Station	Tolerances
DIMENSIONS	A	28 ³ / ₄ " + ¹ / ₄ " - ¹ / ₄ "
	B	8 ³ / ₄ " + ¹ / ₄ " - ¹ / ₄ "
	C	22 ¹ / ₂ " + ¹ / ₄ " - ¹ / ₄ "

All dimensions are to finished surfaces.

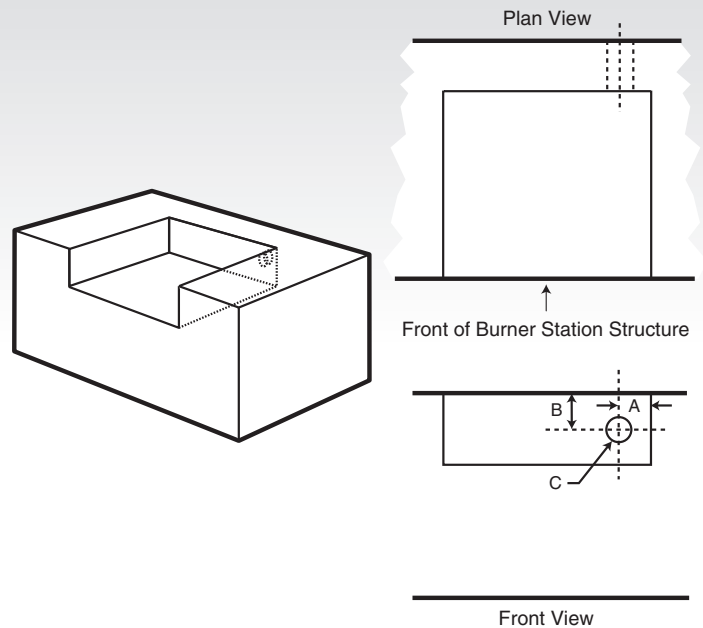
⚠WARNING: All countertop finished surfaces must be constructed of a noncombustible material.

BUILT-IN GAS LINE LOCATIONS



SLIDE-IN BURNER STATION GAS LINE DIMENSIONS

DIMENSIONS	Slide-In Burner Station Tolerances	
	Station	Tolerances
A	4"	+ $\frac{1}{16}$ - $\frac{1}{16}$
B	7"	+ $\frac{1}{16}$ - $\frac{1}{16}$
C	2½"	+ $\frac{1}{16}$ - $\frac{1}{16}$



COUNTERTOP BURNER STATION GAS LINE DIMENSIONS

DIMENSIONS	Countertop Burner Station Tolerances	
	Station	Tolerances
A	4"	+ $\frac{1}{8}$ - $\frac{1}{8}$
B	7"	+ $\frac{1}{8}$ - $\frac{1}{8}$
C	2½"	+ $\frac{1}{8}$ - $\frac{1}{8}$

Area should be kept clear of sharp, jagged, or extremely abrasive surfaces to avoid possible damage to gas supply lines. Exercise caution when pulling gas lines through built-in structure.

Note: Leave an access in the "island" structure for gas supply and regulator service, not inside the grill structure. **Vieluxe®** has a gas line and regulator access door available from your dealer or call **Vieluxe® Customer Service** at 1-866-VIELUXE. (Vieluxe part number 36311).

TYPICAL GAS SUPPLY INSTALLATION

WE RECOMMEND THAT THIS INSTALLATION BE DONE BY A LICENSED PROFESSIONAL.

General Specifications for Piping

Note - Contact your local municipality for building codes regulating outdoor gas barbecue installations. In absence of Local Codes, you must conform to the latest edition of ANSI Z223.1/NFPA 54.

- This burner station is designed to operate at 4.5 inches of water column pressure.
- A manual shut-off valve must be installed outdoors, and be accessible, not in the “built-in” structure. An additional manual shut-off valve indoors should be installed in the branch fuel line in an accessible location near the supply line.

⚠CAUTION: If young children are in the area, a locking valve should be considered.

- Pipe compound should be used which is resistant to the action of natural gas when gas connections are made.
- The gas connections must be firmly attached to rigid, permanent construction.

Note: The information provided in this manual is general for typical installations. We cannot cover all possible installation ideas. We recommend, prior to installation, that you contact your municipality for local building codes and your local fire department for installation requirements.

Gas line piping

- Refer to the piping chart at the bottom of the page.
- The corrugated gas line from the manifold is 48 inches long. Do not extend the gas line.
- We have provided the means to make an SAE 45° flare connection. Do not use pipe sealant on this connection.
- If the length of line required does not exceed 50 feet, use a 5/8" O.D. tube. One size larger should be used for lengths greater than 50 feet. Refer to piping chart below.
- Gas piping may be copper tubing, type K or L; polyethylene plastic tube, with a minimum wall thickness of .062 inch; or standard weight (schedule 40) steel or wrought iron pipe.
- Check your local building codes.

If you have any questions, contact the Vieluxe® Customer Service Center at 1-866-VIELUXE.

Piping Chart

Table 10-1 Maximum Capacity of Pipe in Cubic Feet of Gas per Hour for Gas Pressures of 0.5 psi or Less and a Pressure Drop of 0.3 Inch Water Column. (Based on a 0.60 Specific Gravity Gas)

Nominal Iron Pipe Size (inches)	Internal Diameter (inches)	Length of Pipe (Feet)														
		10	20	30	40	50	60	70	80	90	100	125	150	175	200	
1/4	.364	32	22	18	15	14	12	11	11	10	9	8	8	7	6	
3/8	.493	72	49	40	34	30	27	25	23	22	21	18	17	15	14	
1/2	.622	132	92	73	63	56	50	46	43	40	38	34	31	28	26	
3/4	.824	278	190	152	130	115	105	96	90	84	79	72	64	59	55	
1	1.049	520	350	285	245	215	195	180	170	160	150	130	120	110	100	
1 1/4	1.380	1050	730	590	500	440	400	370	350	320	305	275	250	225	210	
1 1/2	1.160	1600	1100	890	760	670	610	560	530	490	460	410	380	350	320	
2	2.067	3050	2100	1650	1450	1270	1150	1050	990	930	870	780	710	650	610	
2 1/2	2.469	4800	3300	2700	2300	2000	1850	1700	1600	1500	1400	1250	1130	1050	980	
3	3.068	8500	5900	4700	4100	3600	3250	3000	2800	2600	2500	2200	2000	1850	1700	
4	4.026	17500	12000	9700	8300	7400	6800	6200	5800	5400	5100	4500	4100	3800	3500	

TYPICAL GAS SUPPLY INSTALLATION (CONT.)

Gas line piping (continued)

- Copper tubing must be tin-lined if the gas contains more than 0.3 grams of hydrogen sulfide per 100 cubic feet of gas.
- Plastic tubing is suitable only for outdoor, underground use.
- Gas piping in contact with earth, or any other material which may corrode the piping, must be protected against corrosion in an approved manner.
- Underground piping must have a minimum of 18" cover.

Test connections

All connections and joints must be thoroughly tested for leaks in accordance with local codes and all listed procedures in the latest edition of ANSI Z223.1/NFPA 54.

⚠ DANGER

Do not use an open flame to check for gas leaks. Be sure there are no sparks or open flames in the area while you check for gas leaks. This will result in a fire or explosion which can cause serious bodily injury or death, and damage to property.

Regulator

- The regulator should be adequately supported.
- The regulator must be installed close to the appliance.
- Each appliance must have a separate regulator.

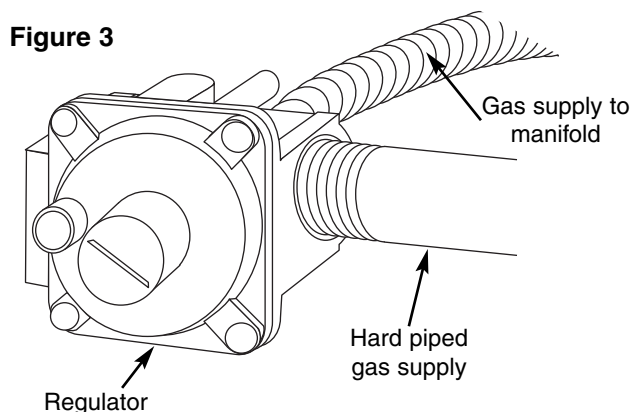
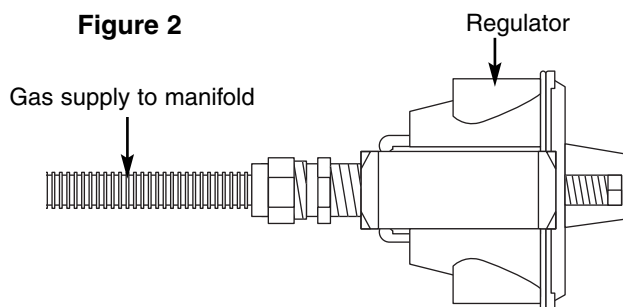
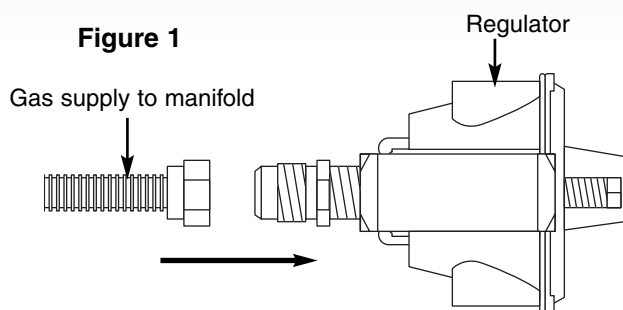
CONNECT GAS SUPPLY TO REGULATOR

Hard pipe the gas supply to the inlet of the regulator.

Make a "T" fitting from your hard piping if you plan on adding additional Vieluxe® gas appliances.

Refer to "Typical Gas Supply Installation".

Connect the corrugated gas line to the regulator. Figure 1. Figure 2 shows the gas line and regulator assembled. Hard pipe the gas supply to the regulator. Figure 3.

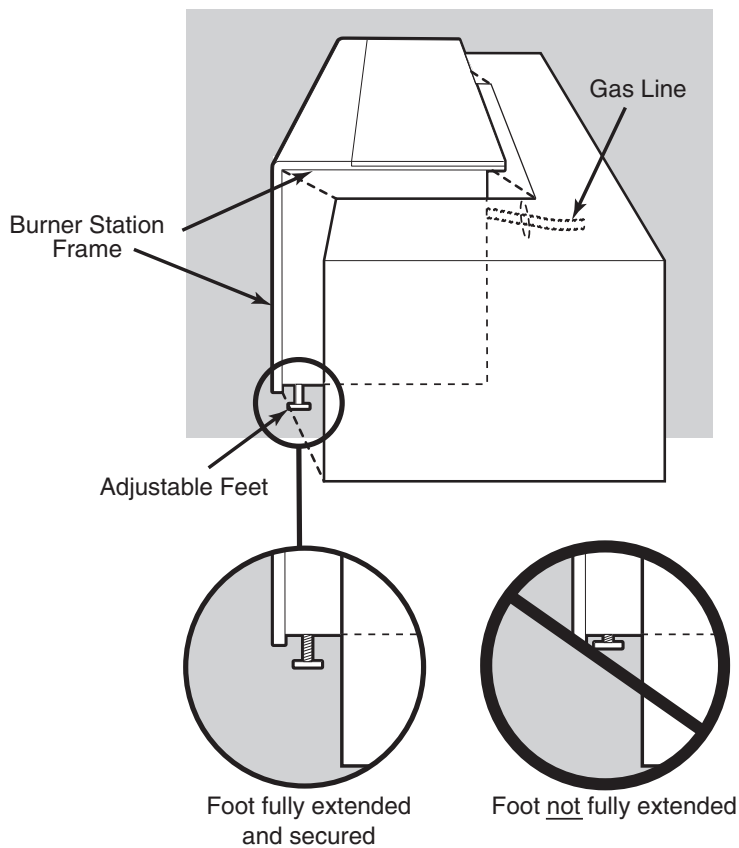


Note: Leave an access in the "island" structure for gas supply and regulator service not inside the grill structure. Vieluxe® has a gas line and regulator access door available from your dealer or call Vieluxe Customer Service at 1-866-VIELUXE. (Vieluxe® part number 36311).

SLIDE-IN BURNER STATION INSTALLATION

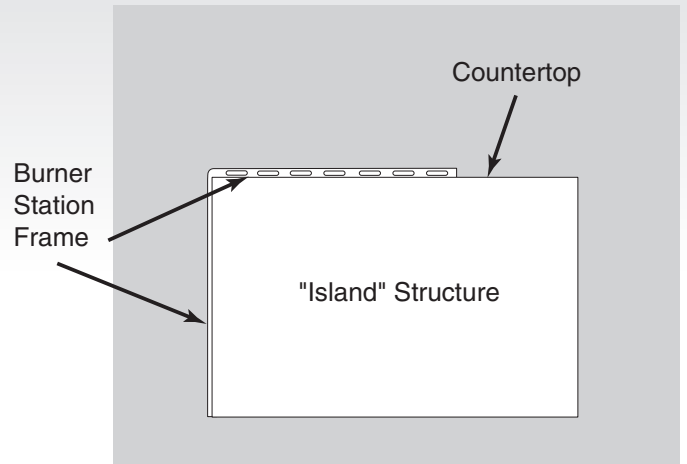
⚠ CAUTION: Use two people to lift and install the **Vieluxe®** slide-in burner station.

- 1) Lift the burner station out of the packaging.
- 2) Make sure that the Adjustable Feet are fully extended and secure before setting burner station in place.
- 3) Push the burner station into the "island" structure making sure that the burner station frame does not rest on the top of the "island" structure. Make sure the grill is resting on its Adjustable Feet only.
- 4) Guide the gas line through the access hole in the burner station frame while installing the burner station.

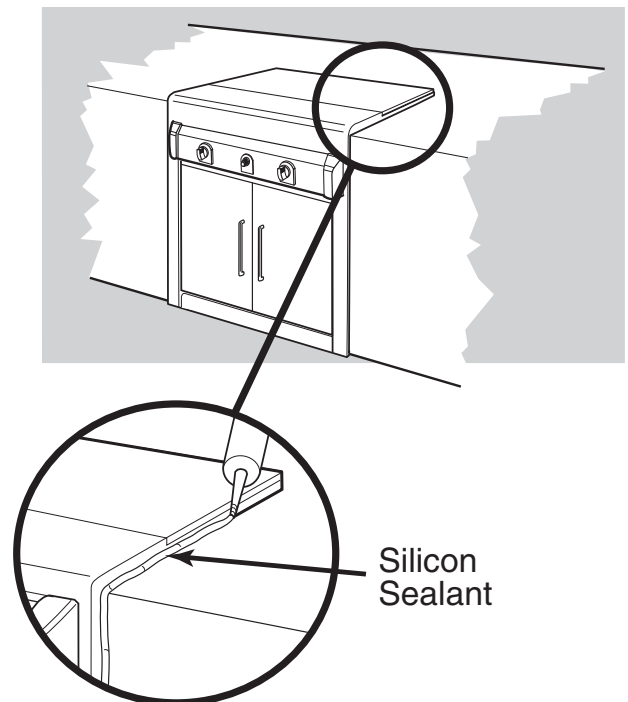


- 5) Lower the burner station by adjusting the feet until the burner station frame is resting firmly on the "island" countertop.

Note: Make sure that the burner station is level on the "island" countertop.



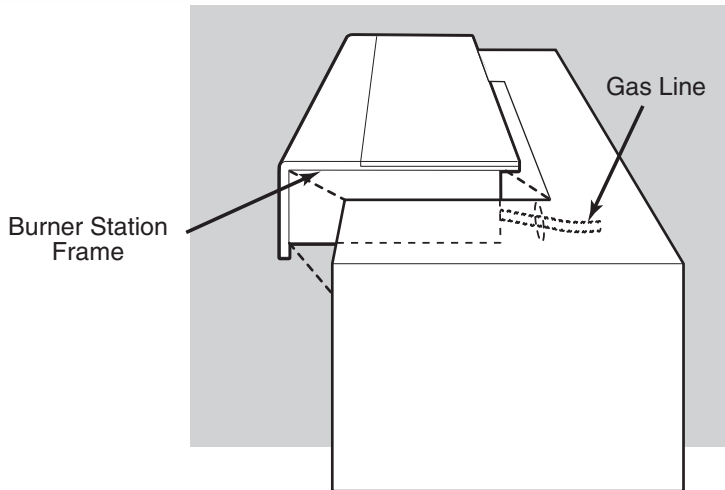
- 6) Once the burner station is level with top of the "island" structure, apply a bead of silicon sealant around the perimeter and front sides of the burner station that is in contact with the "island" structure. This will prevent moisture seepage. The sealant you use must have a temperature rating above 120° F.



COUNTERTOP BURNER STATION INSTALLATION

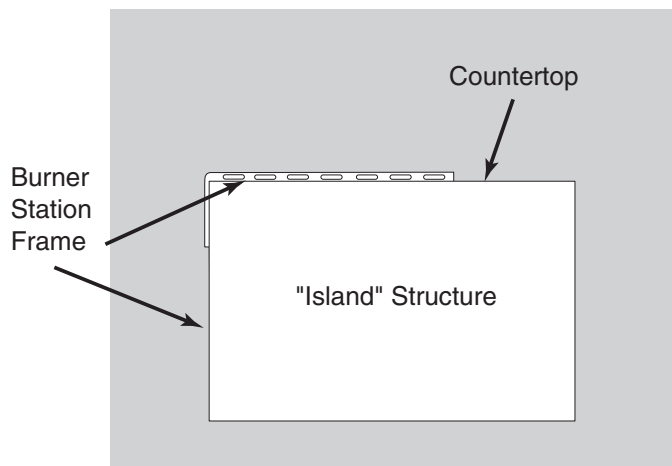
⚠ **CAUTION:** Use two people to lift and install the **Vieluxe®** Countertop burner station.

- 1) Lift the burner station out of the packaging.
- 2) Push the burner station into the "island" structure making sure that the grill frame rests on the top of "island" structure.
- 3) Guide the gas line through the access hole in the Burner Station frame while installing the burner station.



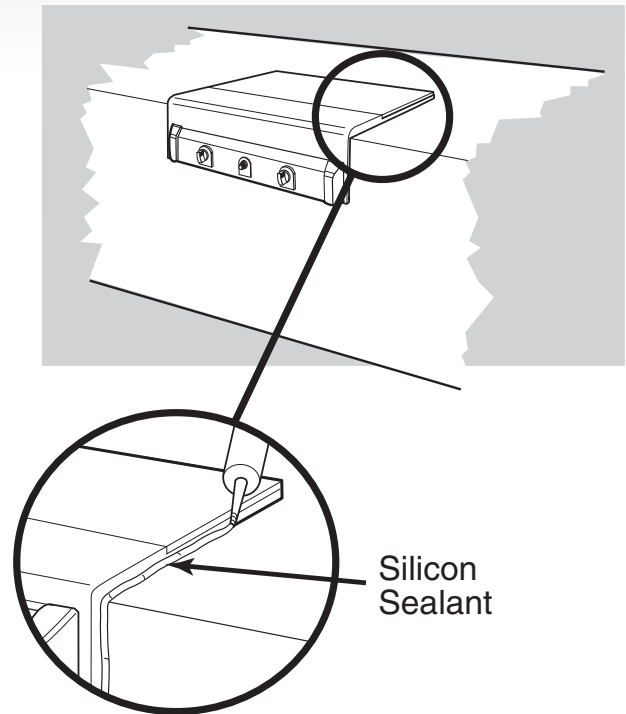
- 4) Lower the burner station down so it fits into the "island" structure.
- 5) Lower until the top of the burner station frame is resting on the "island" countertop.

Note: The burner station should be level, with the burner station frame setting on the "island" countertop or top surface.



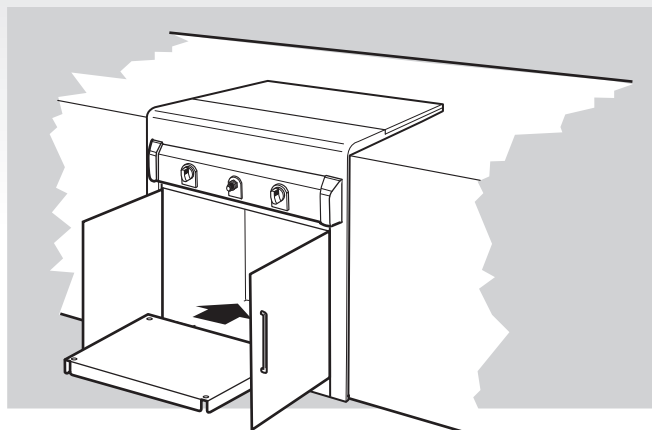
- 7) Attach the Countertop Burner Station to the "island" structure by driving screws into the "island" structure frame. Place the screws in slots located under both sides of the burner station control panel.

- 6) Once the burner station is level with the top of the "island" structure, apply a bead of silicon sealant around the perimeter and front sides of the burner station that is in contact with the "island" structure. This will prevent moisture seepage. The sealant you use must have a temperature rating above 120° F.



SLIDE-IN FLOOR PANEL INSTALLATION

Once your burner station has been set into place and the adjustable feet have been set to level your station to the "island" structure countertop, install the floor panel.



Slide-In Burner Station

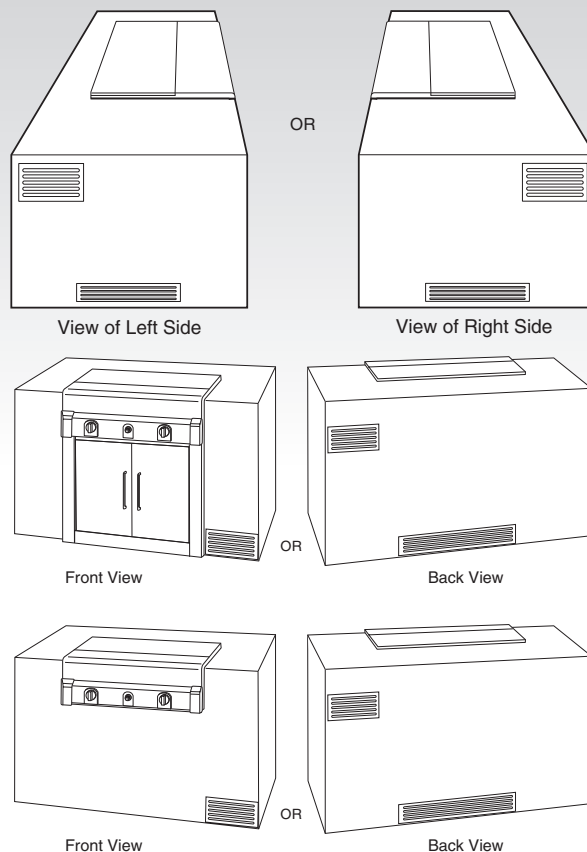
The floor panel will fit over the top of the adjustable feet.

VENTILATION

⚠WARNING: Air holes must be provided in the structure at the top and bottom to provide ventilation in the event of a gas leak.

Air holes can be located in a low visibility area and should be protected by screening material to prevent rodents and insects from entering the structure. Air holes will also help dry moisture.

Vieluxe® cabinet vents (#61429) are available from your dealer or call Vieluxe® Customer Service at 1-866-VIELUXE.



- Cross ventilation must be incorporated in the supporting structure. We recommend a minimum of 100 square inches of venting per side.
- Vents should be on two sides of the structure. The above drawings are for reference only.
- Location of the vents should be from the center, outward.
- Locate the vents at both the bottom of the structure and at the top of the structure.
- The bottom vents should be as close to ground level as possible. Make sure the vent area is not blocked by interior supports of the structure.
- We recommend vents with screens.
- Access doors to the structure are not considered vents.
- Clean the vents periodically.

⚠DANGER: Failure to follow recommended minimum venting instructions can cause gas to collect in the structure in the event of a gas leak. This may result in a fire or an explosion which can cause serious bodily injury or death, and damage to property.