



Built-In Natural Gas Grill Installation Guide



Vieluxe® 27" Built-In Grill
(Model #: 360152)



Vieluxe® 39" Built-In Grill
(Model #: 370152)

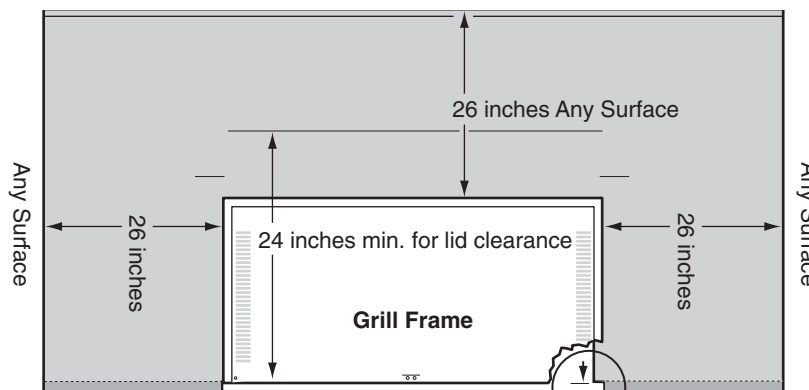
THIS GAS APPLIANCE IS DESIGNED FOR OUTDOOR USE ONLY.

LOCATING YOUR GRILL

When determining a suitable location for your Vieluxe® gas grill installation, give attention to concerns such as exposure to wind, proximity to traffic paths, and keeping any gas supply lines as short as possible. Never locate the Vieluxe® gas grill in a garage, breezeway, shed, under an unprotected overhang, or other enclosed area. Locate the grill and structure so there is enough room to safely evacuate the area in case of a fire.

CLEARANCE FROM SURFACES OR STRUCTURES

⚠WARNING: Clearance from any surface or structure is 26 inches from the back and sides of the grill. Refer to "Typical Gas Supply Installation" before starting installation.



Note: For a countertop treatment: Recommended 3/4 inch overhang. Notch front edge for frame to fully slide in.

⚠WARNING: The structure, "island", countertops and adjacent work areas for the built-in grill installation must be built from non-combustable materials only.

NOTE: If you have questions on what materials are considered non-combustable, contact your local building materials supplier or fire department.

BUILT-IN STRUCTURE CUTOUT DIMENSIONS

All dimensions are to finished surfaces.

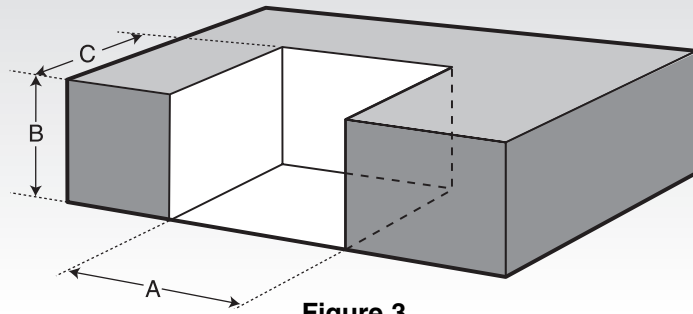


Figure 3

BUILT-IN CUTOUT DIMENSIONS

	27" grill	39" grill	Tolerances
A	40 $\frac{1}{4}$ "	52 $\frac{1}{4}$ "	+ $\frac{1}{4}$ - $\frac{1}{4}$
B	36"	36"	+ $\frac{1}{4}$ - $\frac{1}{4}$
C	23"	23"	+ $\frac{1}{4}$ - $\frac{1}{4}$

⚠WARNING: All countertop finished surfaces must be constructed of a noncombustible material.

Note: If the supporting structure is going to have an electrical outlet for a rotisserie, it should be on the left side of the structure.

BUILT-IN GAS LINE LOCATIONS

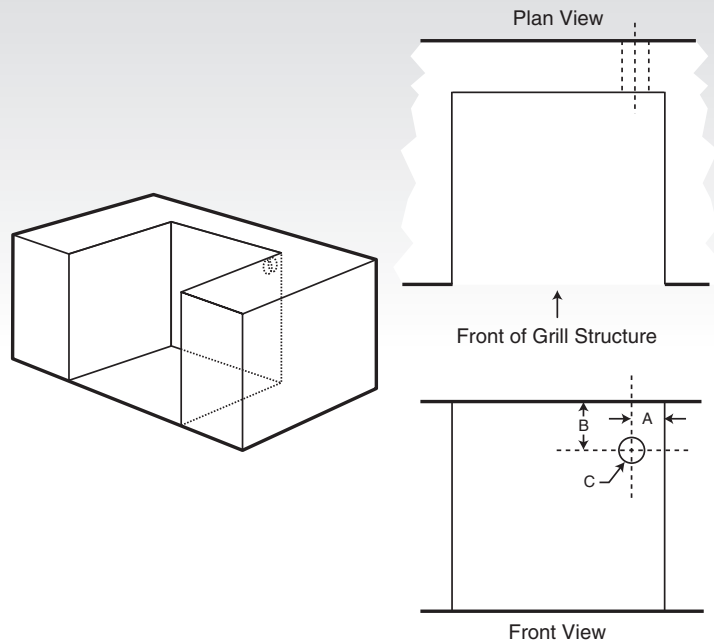


Figure 6

VIELUXE® BUILT-IN GAS LINE LOCATIONS

	27" grill	39" grill	Tolerances
DIMENSIONS	A	4"	+ $\frac{1}{8}$ - $\frac{1}{8}$
	B	7"	+ $\frac{1}{8}$ - $\frac{1}{8}$
	C	2.5"	+ $\frac{1}{8}$ - $\frac{1}{8}$

Area should be kept clear of sharp, jagged, or extremely abrasive surfaces to avoid possible damage to gas supply lines. Exercise caution when pulling gas lines through built-in structure.

Note: Leave an access in the "island" structure for gas supply and regulator service not inside the grill structure. Vieluxe® has a gas line and regulator access door available from your dealer or call Vieluxe Customer Service at 1-866-VIELUXE. (Vieluxe® part number 36311).

TYPICAL GAS SUPPLY INSTALLATION

WE RECOMMEND THAT THIS INSTALLATION BE DONE BY A LICENSED PROFESSIONAL.

General Specifications for Piping

Note - Contact your local municipality for building codes regulating outdoor gas grill installations. In absence of Local Codes, you must conform to the latest edition of ANSI Z223.1/NFPA 54.

- This grill is designed to operate at 4.5 inches of water column pressure.
- A manual shut-off valve must be installed outdoors, and be accessible, not in the “built-in” structure. An additional manual shut-off valve indoors should be installed in the branch fuel line in an accessible location near the supply line.

⚠CAUTION: If young children are in the area, a locking valve should be considered.

- Pipe compound should be used which is resistant to the action of natural gas when gas connections are made.
- The gas connections must be firmly attached to rigid, permanent construction.

Note: The information provided in this manual is general for typical installations. We cannot cover all possible installation ideas. We recommend, prior to installation, that you contact your municipality for local building codes and your local fire department for installation requirements.

Gas line piping

- Refer to the piping chart at the bottom of the page.
- The corrugated gas line from the manifold is 48 inches long. Do not extend the gas line.
- We have provided the means to make an SAE 45° flare connection. Do not use pipe sealant on this connection.
- If the length of line required does not exceed 50 feet, use a 5/8" O.D. tube. One size larger should be used for lengths greater than 50 feet. Refer to piping chart below.
- Gas piping may be copper tubing, type K or L; polyethylene plastic tube, with a minimum wall thickness of .062 inch; or standard weight (schedule 40) steel or wrought iron pipe.

If you have any questions, contact the Vieluxe® Customer Service Center at 1-866-VIELUXE.

Piping Chart

Table 10-1 Maximum Capacity of Pipe in Cubic Feet of Gas per Hour for Gas Pressures of 0.5 psi or Less and a Pressure Drop of 0.3 Inch Water Column. (Based on a 0.60 Specific Gravity Gas)

Nominal Iron Pipe Size (inches)	Internal Diameter (inches)	Length of Pipe (Feet)														
		10	20	30	40	50	60	70	80	90	100	125	150	175	200	
1/4	.364	32	22	18	15	14	12	11	11	10	9	8	8	7	6	
3/8	.493	72	49	40	34	30	27	25	23	22	21	18	17	15	14	
1/2	.622	132	92	73	63	56	50	46	43	40	38	34	31	28	26	
3/4	.824	278	190	152	130	115	105	96	90	84	79	72	64	59	55	
1	1.049	520	350	285	245	215	195	180	170	160	150	130	120	110	100	
1 1/4	1.380	1050	730	590	500	440	400	370	350	320	305	275	250	225	210	
1 1/2	1.160	1600	1100	890	760	670	610	560	530	490	460	410	380	350	320	
2	2.067	3050	2100	1650	1450	1270	1150	1050	990	930	870	780	710	650	610	
2 1/2	2.469	4800	3300	2700	2300	2000	1850	1700	1600	1500	1400	1250	1130	1050	980	
3	3.068	8500	5900	4700	4100	3600	3250	3000	2800	2600	2500	2200	2000	1850	1700	
4	4.026	17500	12000	9700	8300	7400	6800	6200	5800	5400	5100	4500	4100	3800	3500	

TYPICAL GAS SUPPLY INSTALLATION (CONT.)

- Check your local building codes.

Gas line piping (continued)

- Copper tubing must be tin-lined if the gas contains more than 0.3 grams of hydrogen sulfide per 100 cubic feet of gas.
- Plastic tubing is suitable only for outdoor, underground use.
- Gas piping in contact with earth, or any other material which may corrode the piping, must be protected against corrosion in an approved manner.
- Underground piping must have a minimum of 18" cover.

Test connections

All connections and joints must be thoroughly tested for leaks in accordance with local codes and all listed procedures in the latest edition of ANSI Z223.1/NFPA 54.

⚠ DANGER

Do not use an open flame to check for gas leaks. Be sure there are no sparks or open flames in the area while you check for gas leaks. This will result in a fire or explosion which can cause serious bodily injury or death, and damage to property.

Regulator

- The regulator should be adequately supported.
- The regulator must be installed close to the appliance.
- Each appliance must have a separate regulator.

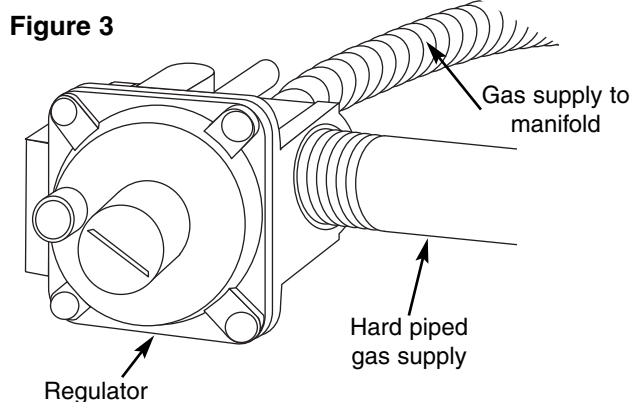
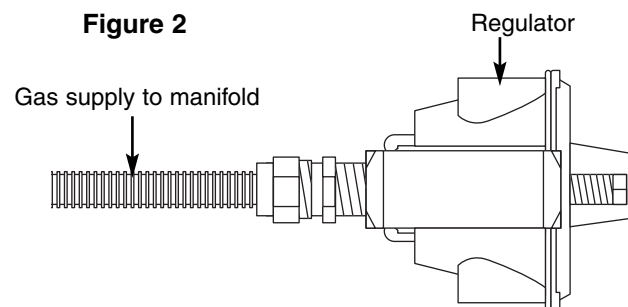
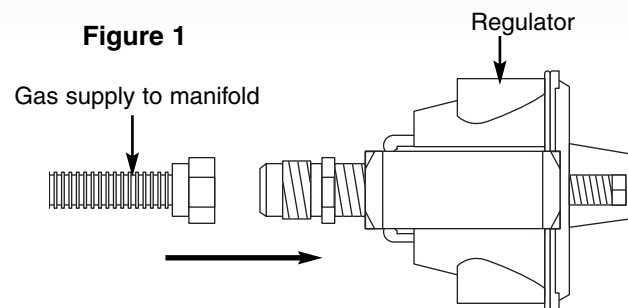
CONNECT GAS SUPPLY TO REGULATOR

Hard pipe the gas supply to the inlet of the regulator.

Make a "T" fitting from your hard pipping if you plan on adding additional Vieluxe® gas appliances.

Refer to "Typical Gas Supply Installation".

Connect the corrugated gas line to the regulator. Figure 1. Figure 2 shows the gas line and regulator assembled. Hard pipe the gas supply to the regulator. Figure 3.

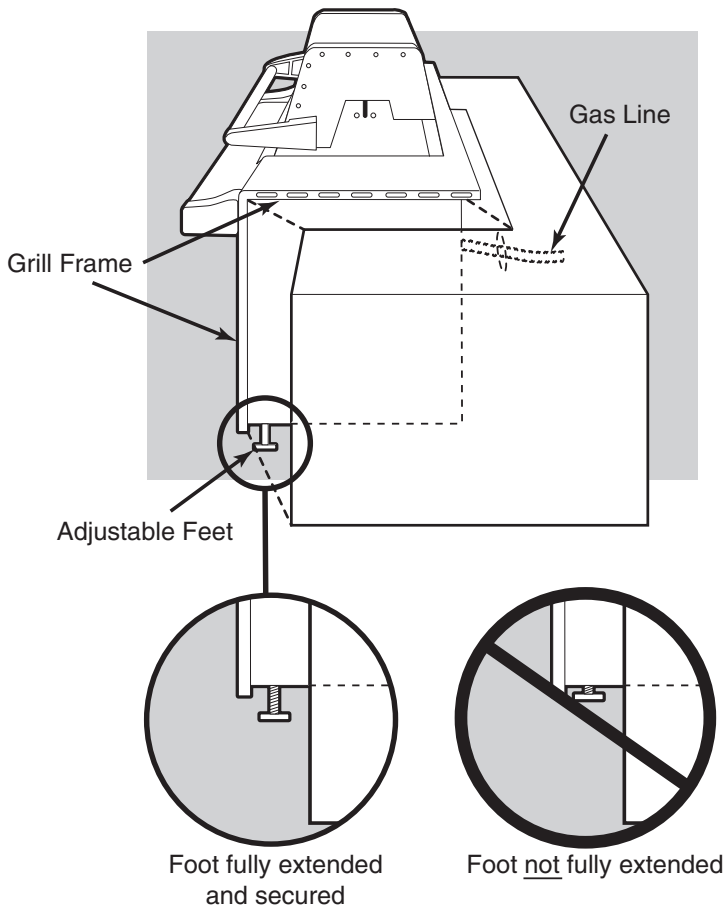


Note: Leave an access in the "island" structure for gas supply and regulator service not inside the grill structure. Vieluxe® has a gas line and regulator access door available from your dealer or call Vieluxe Customer Service at 1-866-VIELUXE. (Vieluxe® part number 36311).

BUILT-IN GRILL INSTALLATION

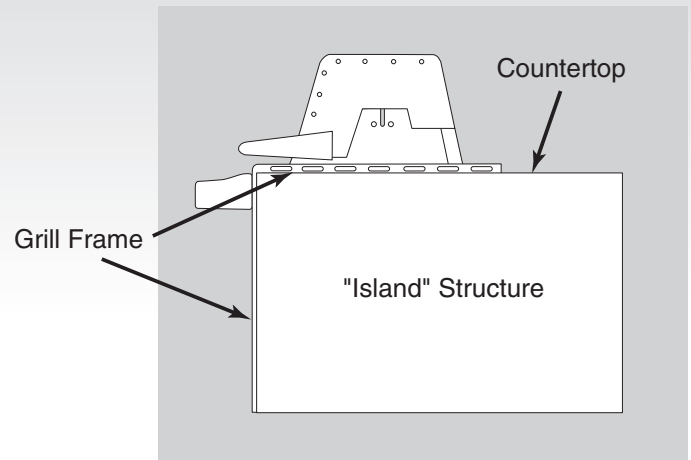
⚠ CAUTION: Use two people to lift and install the Vieluxe® grill.

- 1) Lift the grill out of the packaging.
- 2) Make sure that the Adjustable Feet are fully extended and secure before setting grill in place.
- 3) Push the grill into the "island" structure making sure that the grill frame does not rest on the top of the "island" structure. Make sure the grill is resting on its Adjustable Feet only.
- 4) Guide the gas line through the access hole in the grill frame while installing the grill.

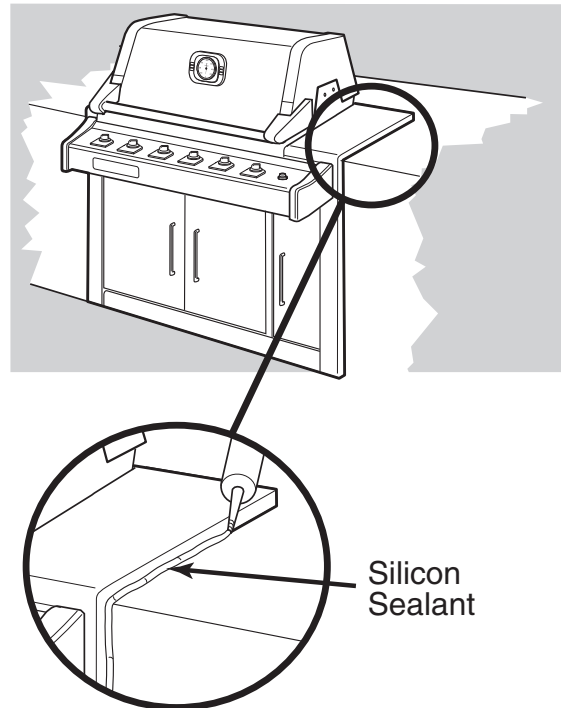


- 5) Lower the grill by adjusting the feet until the grill frame is resting firmly on the "island" countertop.

Note: Make sure that the grill is level on the "island" countertop.

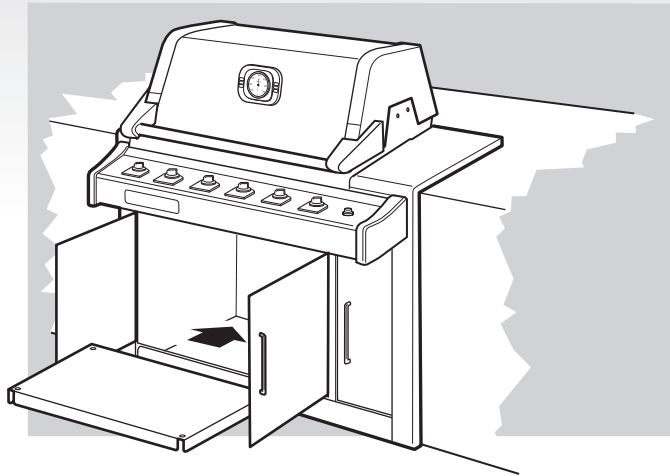


- 6) Once the grill is level with the top of the "island" structure, apply a bead of silicon sealant around the perimeter and front sides of the grill that is in contact with the "island" structure. This will prevent moisture seepage. The sealant you use must have a temperature rating above 120° F.

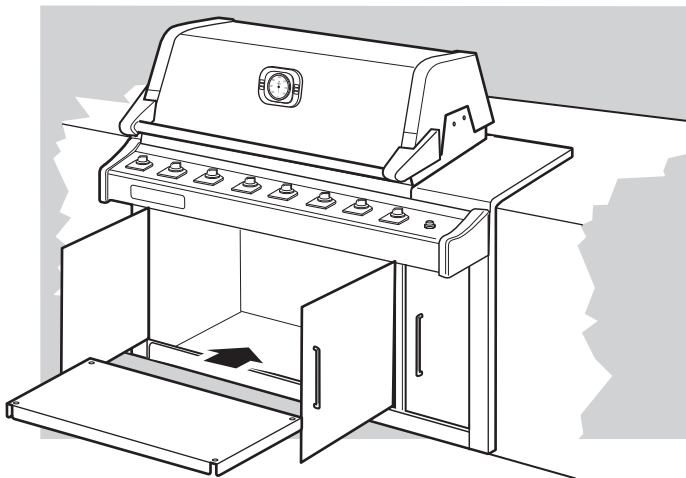


FLOOR PANEL INSTALLATION

Once your grill has been set into place and the adjustable feet have been set to level your grill to the "island" structure countertop, install the floor panel.



Vieluxe® 27" Built-In



Vieluxe® 39" Built-In

The floor panel will fit over the top of the adjustable feet.

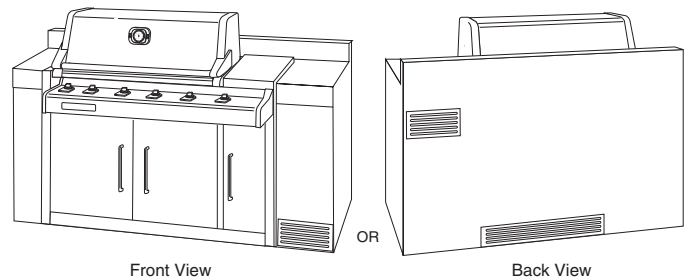
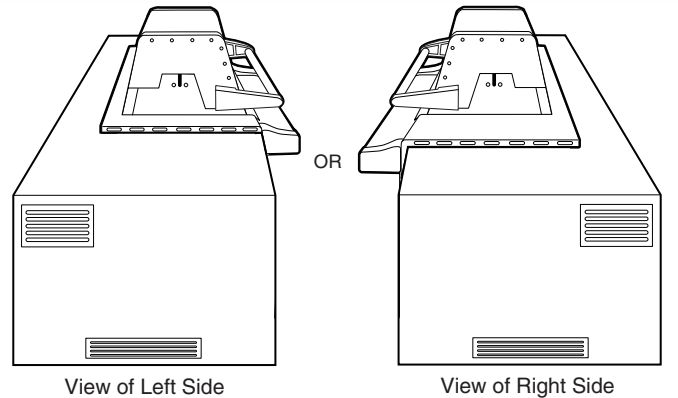
VENTILATION

⚠WARNING: Air holes must be provided in the structure at the top and bottom to provide ventilation in the event of a gas leak.

Air holes can be located in a low visibility area and should be protected by screening material to prevent rodents and insects from entering the structure. Air holes will also help dry moisture.

Vieluxe® cabinet vents (#36312) are available from your dealer or call Vieluxe Customer Service at 1-866-VIELUXE.

Note: These drawings are only a reference.



- Cross ventilation must be incorporated in the supporting structure. We recommend a minimum of 100 square inches of venting per side.
- Vents should be on two sides of the structure. The above drawings are for reference only.
- Location of the vents should be from the center, outward.
- Locate the vents at both the bottom of the structure and at the top of the structure.
- The bottom vents should be as close to ground level as possible. Make sure the vent area is not blocked by interior supports of the structure.
- We recommend vents with screens.
- Access doors to the structure are not considered vents.
- Clean the vents periodically.

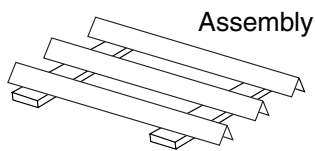
⚠DANGER: Failure to follow recommended minimum venting instructions can cause gas to collect in the structure in the event of a gas leak. This may result in a fire or an explosion which can cause serious bodily injury or death, and damage to property.

ASSEMBLY SUPPLIES NEEDED

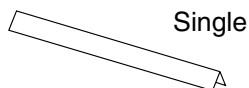
Note: Remove all packaging materials from the grill, the front, back, sides, inside the grill cart, and the bottom shipping platform. Once the packaging material is removed, carefully roll the grill off the shipping platform and lock the casters.

REMOVE PACKAGED CONTENTS

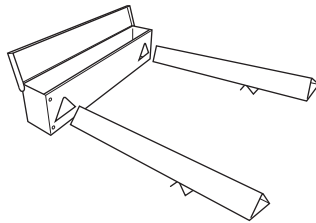
Flavorizer® Bars
 Vieluxe® 27" Built-In
 Assemblies - (2)
 Single - (1)



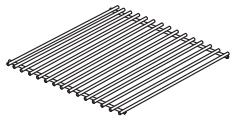
Vieluxe® 39" Built-In
 Assemblies - (3)
 Single - (2)



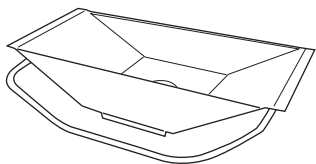
Vieluxe® Smoker (1)



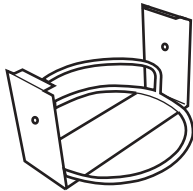
Cooking Grate
 Vieluxe® 27" Built-In (2)
 Vieluxe® 39" Built-In (3)



Bottom Tray



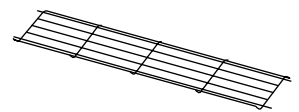
Catch Pan Holder



Catch Pan



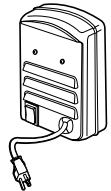
Warming Rack



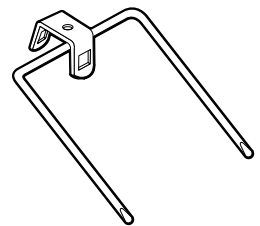
Rotisserie Motor Bracket



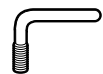
Rotisserie Motor



Rotisserie Split Fork
 Vieluxe® 27" Built-In (2)
 Vieluxe® 39" Built-In (4)



Rotisserie Split Fork Screw
 Vieluxe® 27" Built-In (2)
 Vieluxe® 39" Built-In (4)



Rotisserie Shaft Assembly



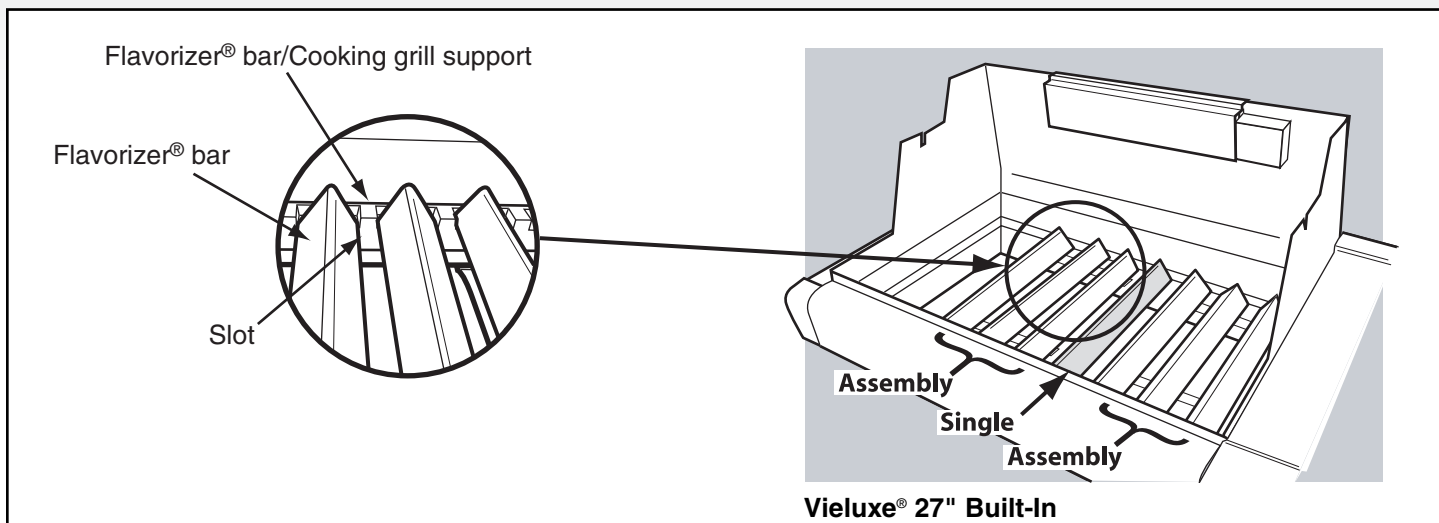
INSTALL FLAVORIZER® BARS

Vieluxe® 27" Built-In

Parts required: (2) Flavorizer® bar assemblies & (1) single Flavorizer® bar.

Set the Flavorizer® bar assemblies and single Flavorizer® bars front to back over the burners in the slots of the Flavorizer® bar/cooking grill support.

Note - Follow order of placement as shown in illustration. Starting from the Left, place a Flavorizer® bar assembly, single Flavorizer® bar then Flavorizer® bar assembly.

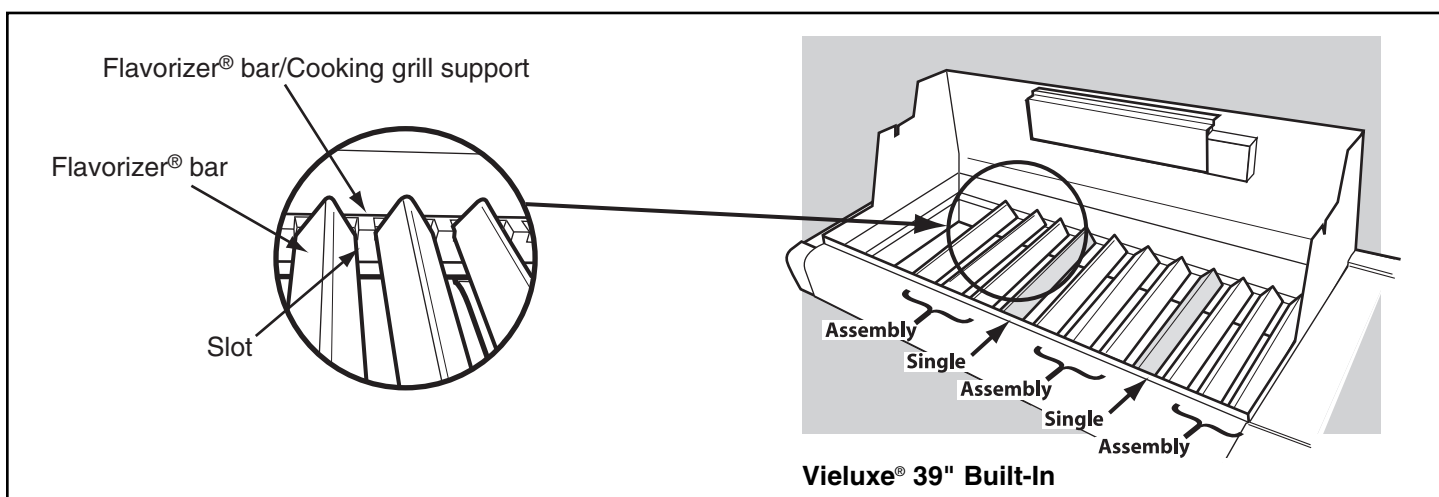


Vieluxe® 39" Built-In

Parts required: (3) Flavorizer® bar assemblies & (2) single Flavorizer® bars.

Set the Flavorizer® bar assemblies and single Flavorizer® bars front to back over the burners in the slots of the Flavorizer® bar/cooking grill support.

Note - Follow order of placement as shown in illustration. Starting from the left, place a Flavorizer® bar assembly, single Flavorizer® bar, Flavorizer® bar assembly, single Flavorizer® bar, then Flavorizer® bar assembly.

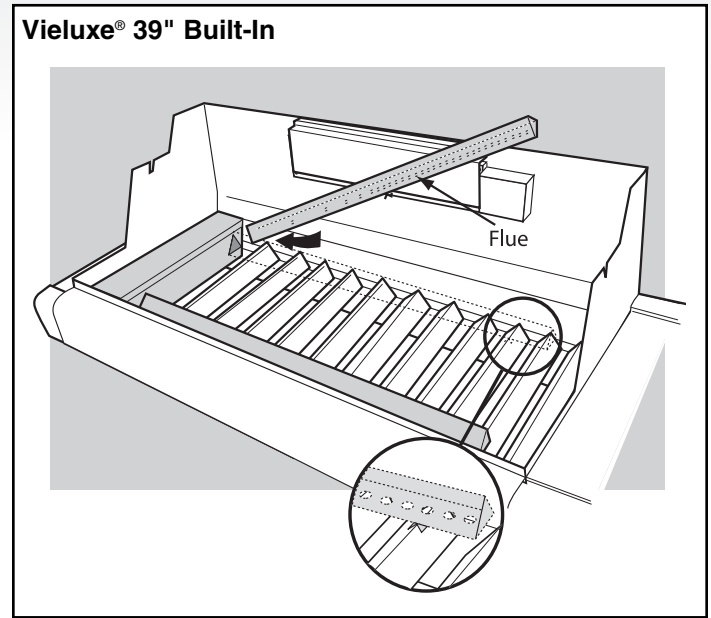
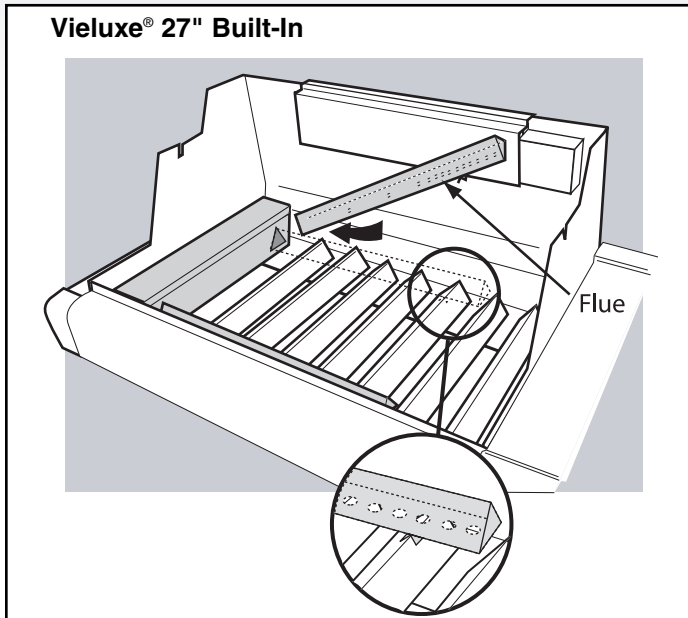


INSTALL SMOKER

Parts required: smoker box and smoker flues.

Set the smoker box into the left side of the cooking box next to the Flavorizer® bars. Then insert smoker flues with tabs into the cut-out of smoker box.

The flues need to lay flat on top of the Flavorizer® bars.

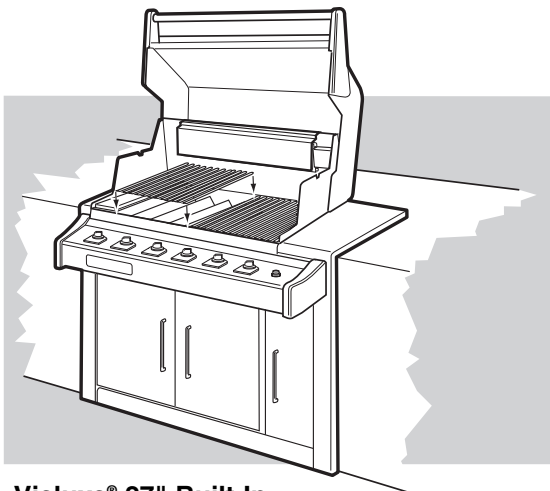


ADD COOKING GRATES

Vieluxe® 27" Built-In

Parts required: (2) cooking grates.

The cross-rail of the cooking grate goes down. Set the cooking grates in place next to each other.

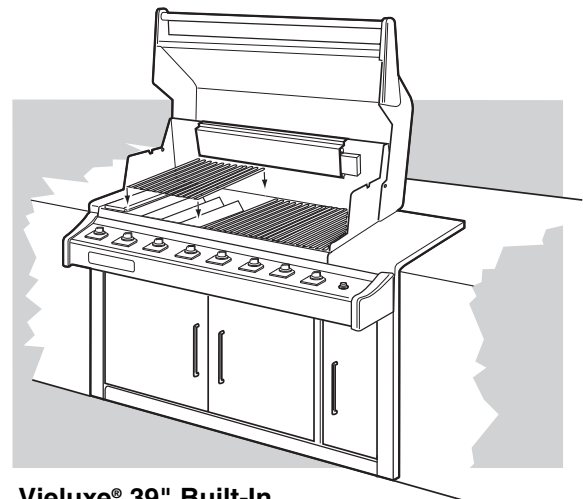


Vieluxe® 27" Built-In

Vieluxe® 39" Built-In

Parts required: (3) cooking grates.

The cross-rail of the cooking grate goes down. Set the cooking grates in place next to each other.

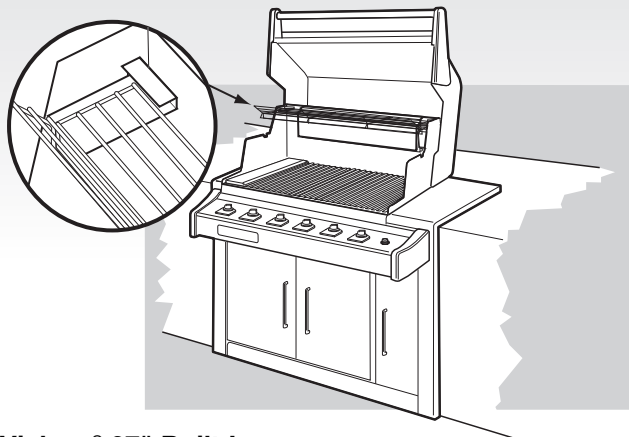


Vieluxe® 39" Built-In

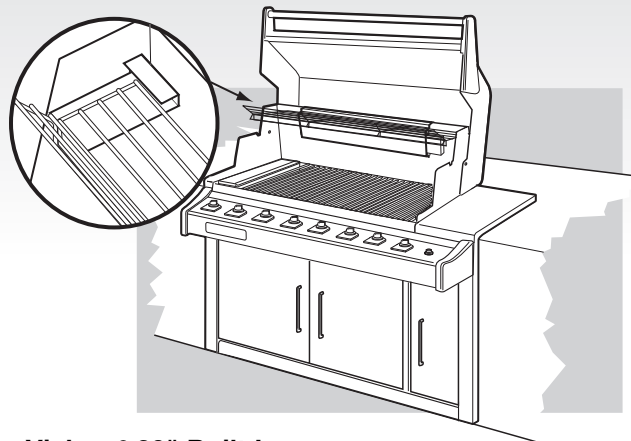
INSTALL WARMING RACK

Part required: warming rack.

Install the warming rack into the slots at the right and left side of the cooking box.



Vieluxe® 27" Built-In



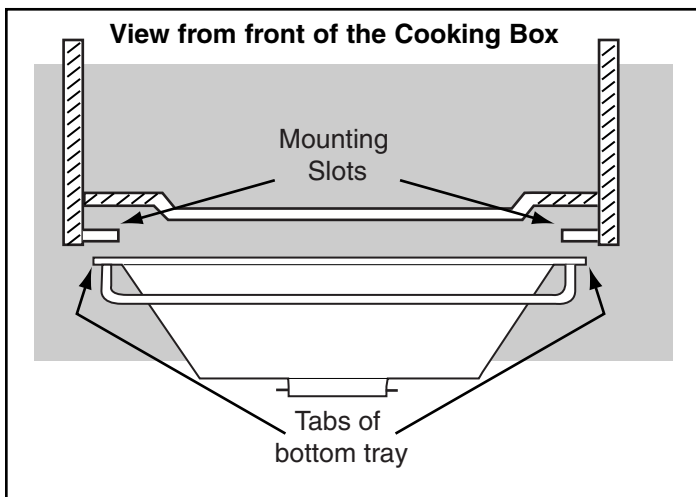
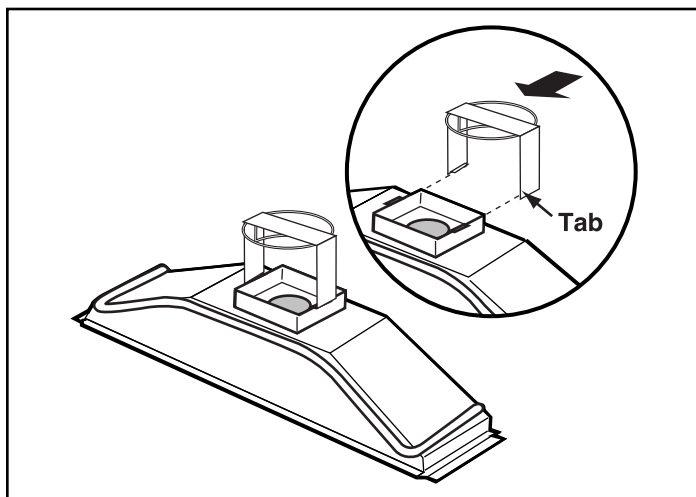
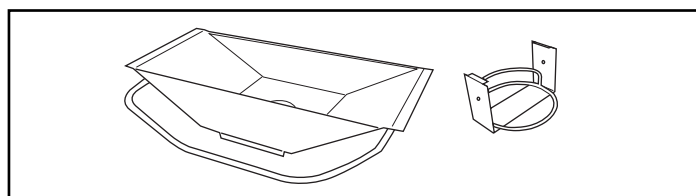
Vieluxe® 39" Built-In

INSTALL BOTTOM TRAY

Parts required: bottom tray and catch pan holder.

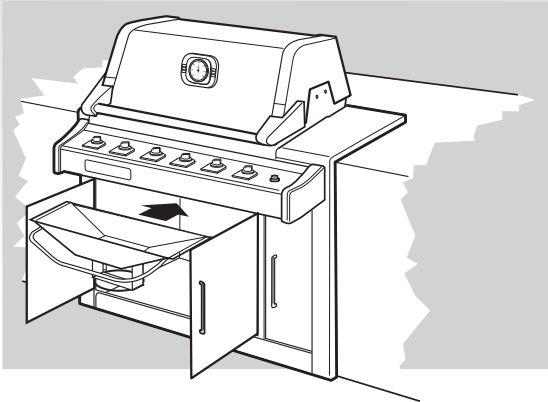
Note: It will be easier to install the catch pan holder by removing the catch pan from the holder.

Hook the tabs of the catch pan holder into the slots of the bottom tray.

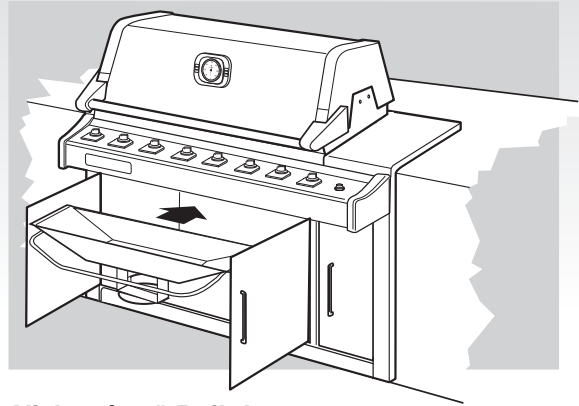


Slide the bottom tray into the mounting slots under the bottom of the cooking box with the handle of the catch pan toward you.

⚠CAUTION: Do not line the bottom tray with aluminum foil. It can cause grease fires by trapping the grease and not allowing grease to flow into the catch pan.



Vieluxe® 27" Built-In

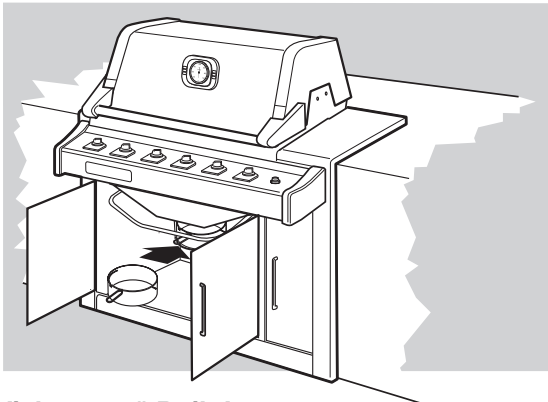


Vieluxe® 39" Built-In

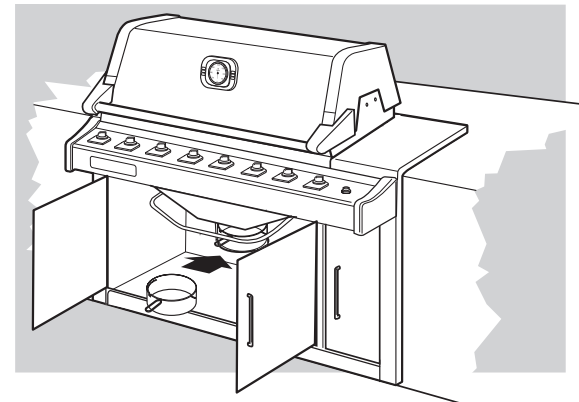
INSTALL CATCH PAN

Part required: catch pan.

Take the catch pan by its handle and slide it into the catch pan holder under the bottom tray.



Vieluxe® 27" Built-In



Vieluxe® 39" Built-In

⚠WARNING: The storage space under the cooking module is intended for storage of nonflammable items only.