



SUMMIT®

BUILT-IN LP TANK CABINET DIMENSIONS



Summit® Built-In LP Tank Cabinet
(Model #: 21280)

YOU MUST READ THIS OWNERS GUIDE BEFORE OPERATING YOUR GAS GRILL

⚠ DANGER

If you smell gas:

1. Shut off gas to the appliance.
2. Extinguish any open flames.
3. Open lid
4. If odor continues, keep away from the appliance and immediately call your gas supplier or your fire department.

Leaking gas may cause a fire or explosion which can cause serious bodily injury or death, or damage to property.

⚠ WARNING

1. Do not store spare liquid propane cylinder within 10 feet (3m) of this appliance.
2. Do not store or use gasoline or other flammable liquids or vapors within 25 feet (8m) of this appliance.

⚠ **WARNING:** Follow all leak-check procedures carefully in this manual prior to barbecue operation. Do this even if the barbecue was dealer-assembled.

⚠ **WARNING:** Do not try to light this appliance without reading the “Lighting” Instructions section of this manual

NOTICE TO INSTALLER: These instructions must be left with the owner and the owner should keep them for future use.

**THIS GAS APPLIANCE IS DESIGNED FOR
OUTDOOR USE ONLY.**



GAS INSTRUCTIONS

LOCATING YOUR LP TANK DRAWER

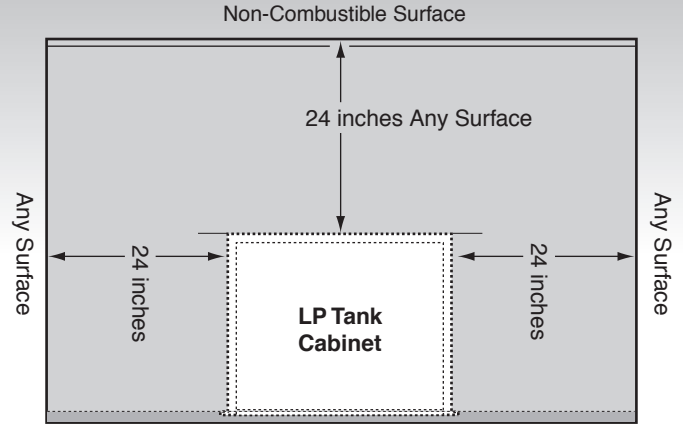
When determining a suitable location for your LP Tank Cabinet installation, give attention to concerns such as exposure to wind, proximity to traffic paths, and keeping any gas supply lines as short as possible. Never locate the Summit® LP Tank Cabinet in a garage, breezeway, shed, under an unprotected overhang, or other enclosed area. Locate the LP Tank Cabinet and structure so there is enough room to safely evacuate the area in case of a fire.

CLEARANCE FROM COMBUSTIBLE SURFACES OR STRUCTURES

⚠WARNING: Clearance from the outside walls of the sides and back of the LP Tank Cabinet must be a minimum of 24 inches any surface. Refer to “Typical Gas Supply Installation” before starting installation.

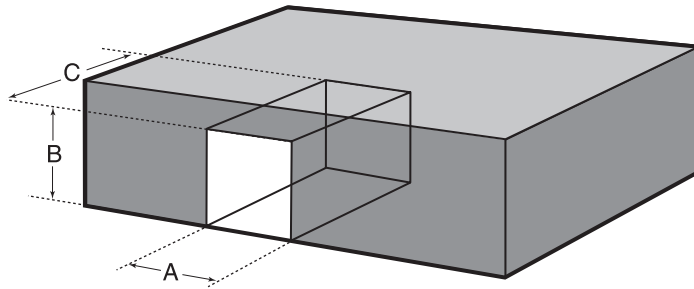
⚠WARNING: The structure, “island” counter tops and adjacent work areas for the LP Tank Cabinet installation must be built from noncombustible materials only.

NOTE: If you have questions on what materials are considered noncombustible, contact you local building supplier or fire department.



BUILT-IN STRUCTURE CUTOUT DIMENSIONS

All dimensions are to finished surfaces.



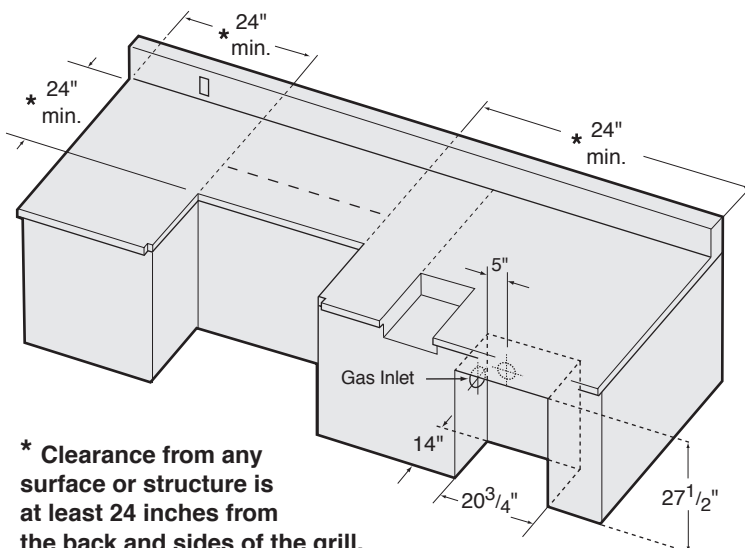
⚠WARNING: All counter top finished surfaces must be constructed of a noncombustible material.

Tank Cabinet		
	Cut out Dimensions	Tolerances
A	20 3/4"	+ 1/4" - 1/4"
B	27 1/2"	+ 1/4" - 1/4"
C	14"	+ 1/4" - 1/4"

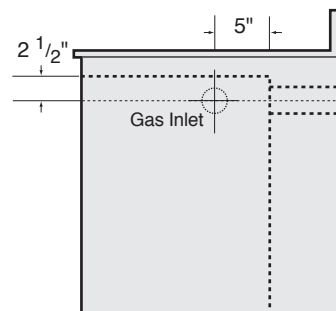
BUILT-IN GAS LINE LOCATIONS

GENERAL CONSTRUCTION DETAILS

- Summit® Built-In unit and all other accessory units should be on site before construction begins.
- All dimensions have a tolerance of plus or minus +/- 1/4" inch.



* Clearance from any surface or structure is at least 24 inches from the back and sides of the grill.

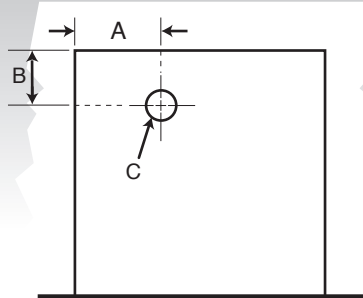
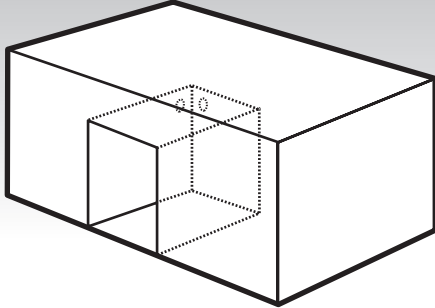


GAS INSTRUCTIONS

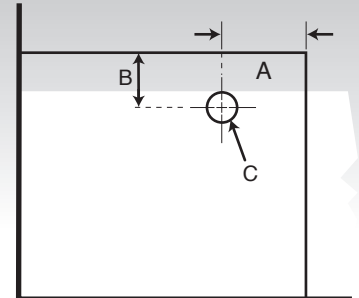
BUILT-IN GAS LINE LOCATIONS

Area should be kept clear of sharp, jagged, or extremely abrasive surfaces to avoid possible damage to gas supply lines. Exercise caution when pulling gas lines through built-in structure.

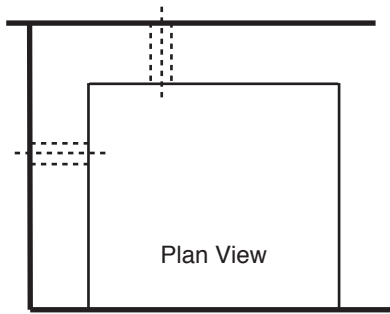
LP TANK CABINET GAS LINE DIMENSIONS



Front View



Side View



Plan View

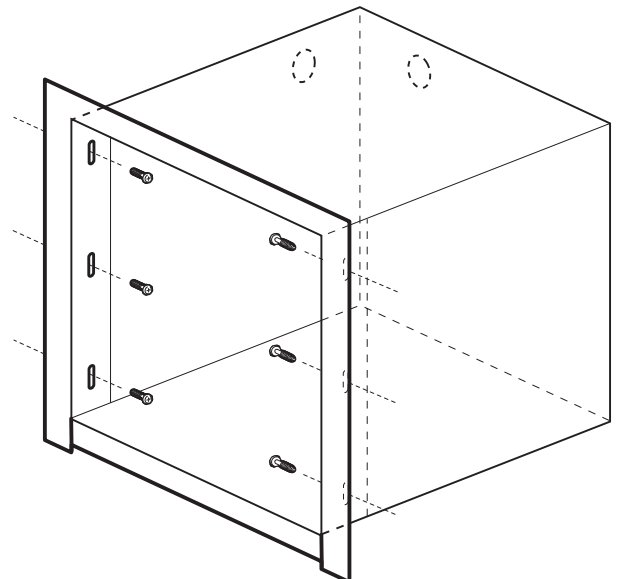
↑
Front of LP Tank Cabinet Structure

Gas Line Dimensions		
	Tank Cabinet	Tolerances
A	5"	0
B	2 1/2"	0
C	2 3/4"	0

Area should be kept clear of sharp, jagged, or extremely abrasive surfaces to avoid possible damage to gas supply lines. Exercise caution when pulling gas lines through built-in structure.

MOUNTING THE LP TANK CABINET

Located inside the door frame of the LP Tank Cabinet, holes are provided that are intended for mounting your LP Tank Cabinet to the "island" structure. Be sure to mount the LP Tank Cabinet before use.



GAS INSTRUCTIONS

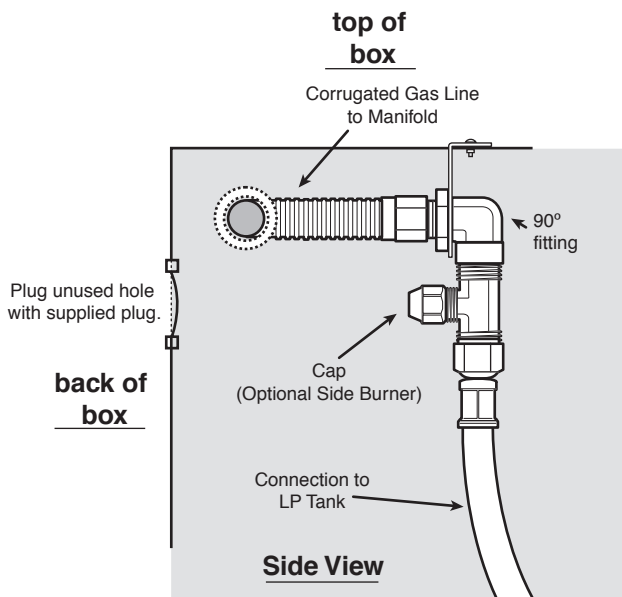
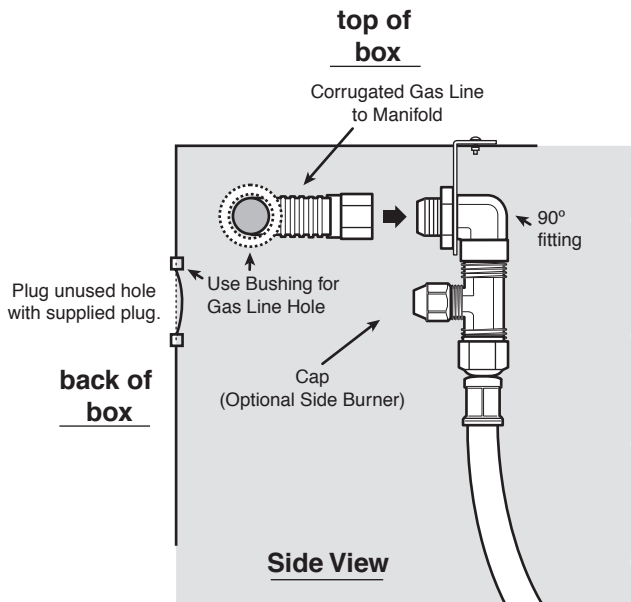
CONNECT GAS SUPPLY

A 58" inch corrugated gas line is supplied with the grill. This line needs to pass through the gas inlet opening to the main gas supply.

- 1) Connect the corrugated gas line to the manifold located on the right hand side of grill under the control panel.

Note: Leave an access in the "island" structure for gas supply and regulator service **not inside the grill structure**. Weber® has a gas line and regulator access door (part # 36311) available from your dealer or call Customer Service at 1-847-446-1071.

- 2) Uncap one flare fitting from the 90° Connection located inside the Summit® Built-In Tank Cabinet (#21280).
- 3) Connect the corrugated gas line to the 90° Connection.



FILL LIQUID PROPANE CYLINDER

To fill, take the liquid propane cylinder and filler adapter to an RV center or look up gas-propane in the phone book for other sources of liquid propane gas.

⚠ WARNING: We recommend that your liquid propane cylinder be filled at an authorized liquid propane gas dealer by a qualified attendant, who fills the tank by weight.

IMPROPER FILLING IS DANGEROUS.

The liquid propane cylinder must be installed, transported and stored in an upright position, and should not be dropped or handled roughly.

Never store or transport the liquid propane cylinder where temperatures can reach 125° Fahrenheit (too hot to hold by hand – for example: do not leave the liquid propane cylinder in a car on a hot day).

For full instructions on safe handling of liquid propane cylinders, see Section "Operating".

IMPORTANT LP CYLINDER INFORMATION

Failure to follow these **DANGER** statements exactly may result in a fire causing death or serious injury.

⚠ DANGER

- ⚠ **NEVER** store a spare LP Cylinder under or near this barbecue.
- ⚠ **NEVER** fill the tank beyond 80% full.

⚠ WARNING: Only use this grill outdoors in a well-ventilated area. Do not use in a garage, building, breezeway or any other enclosed area.

Check that all burner valves are off

Valves are shipped in the OFF position, but you should check to be sure that they are turned OFF. Check by pushing down and turning clockwise. If they do not turn, they are off. Proceed to the next step. If they do turn continue turning them clockwise until they stop, then they are off. Proceed to the next step.