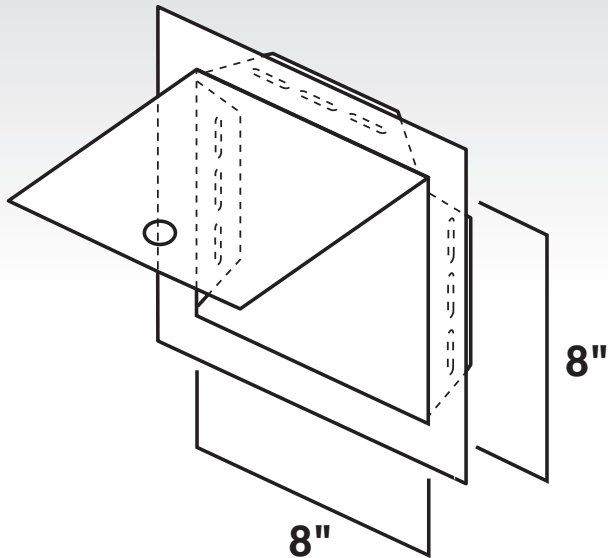


# GAS LINE ACCESS DOOR INSTALLATION

## ACCESS DOOR DIMENSIONS

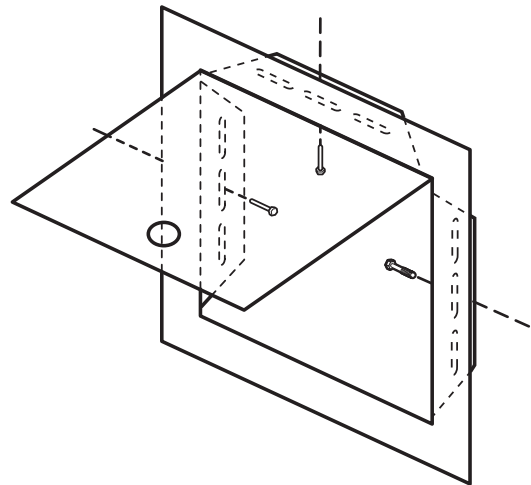


## ACCESS DOOR MOUNTING

Holes are provided that are intended for mounting your Access Door to the “island” structure, located inside the access door frame.

When mounting the Access Door, the door positioning can be located in any direction.

Use non corrosive hardware when mounting the vent(s).



Be sure to mount the Access Door before use.

**⚠WARNING:** You should check all connections for gas leaks periodically with a soap and water solution.

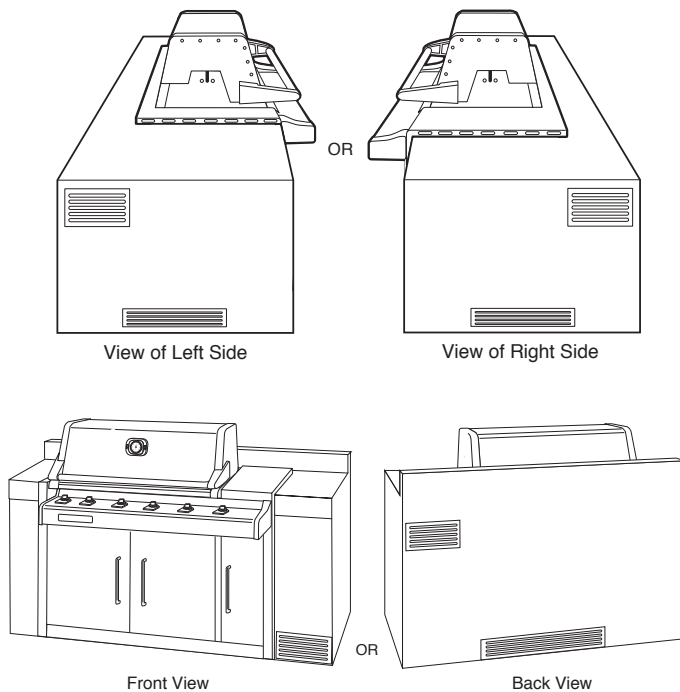
### **⚠DANGER:**

**Do not use an open flame to check for gas leaks. Be sure there are no sparks or open flames in the area while you check for leaks. Sparks or open flames will result in a fire or explosion, which can cause serious bodily injury or death and damage to property.**

# VENT INSTALLATION

**⚠WARNING:** Air holes must be provided in the structure at the top and bottom to provide ventilation in the event of a gas leak. Air holes can be located in a low visibility area and should be protected by screening material to prevent rodents and insects from entering the structure. Air holes will also help dry moisture.

*Note: These drawings are only a reference.*

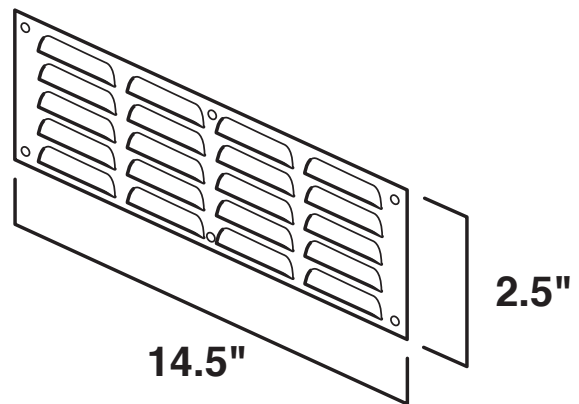


- Cross ventilation must be incorporated in the supporting structure. We recommend a minimum of 100 square inches of venting per side.
- Vents should be on two sides of the structure. The above drawings are for reference only.
- Location of the vents should be from the center, outward.
- Locate the vents at both the bottom of the structure and at the top of the structure.
- The bottom vents should be as close to ground level as possible. Make sure the vent area is not blocked by interior supports of the structure.
- We recommend vents with screens.
- Access doors to the structure are not considered vents.
- Clean the vents periodically.

## **⚠DANGER:**

Failure to follow recommended minimum venting instructions can cause gas to collect in the structure in the event of a gas leak. This may result in a fire or an explosion which can cause serious bodily injury or death, and damage to property.

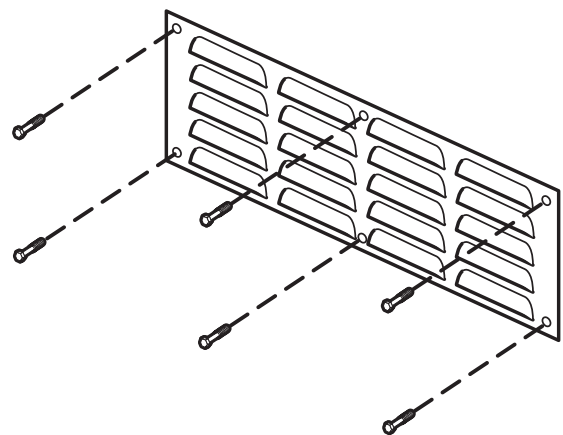
## VENT DIMENSIONS



## VENT MOUNTING

Located on the vent(s), holes are provided that are intended for mounting your vent(s) to the "island" structure.

Use non corrosive hardware when mounting the vent(s).



Be sure to mount the vent(s) before use.