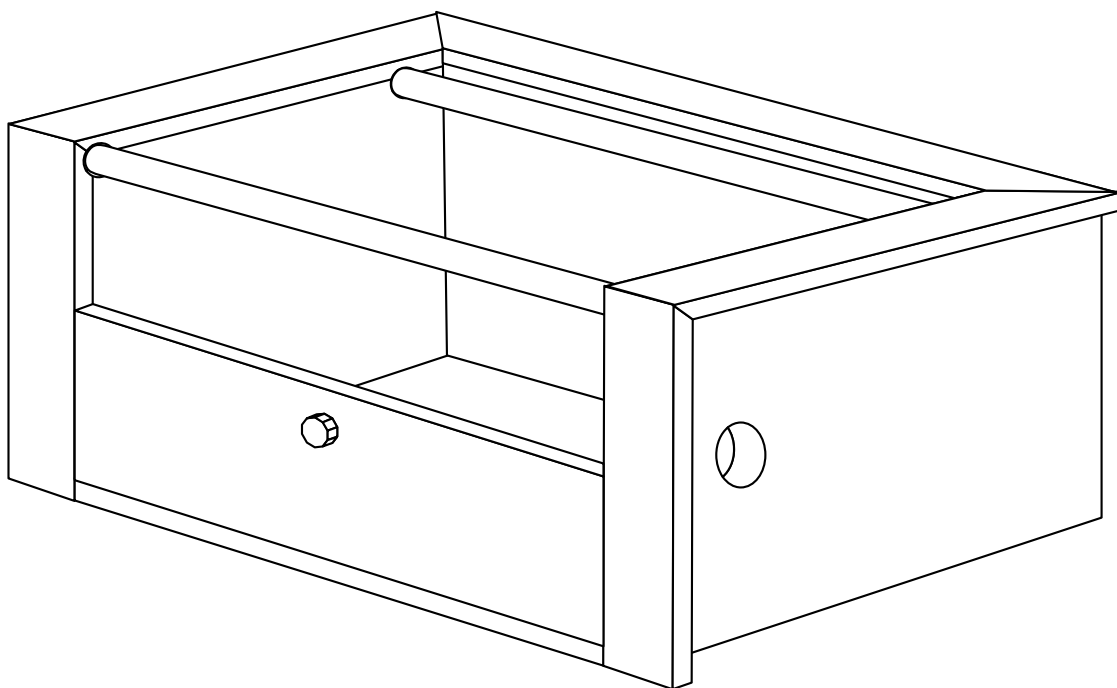




SUMMIT™ 475 & 675 Built-in Sleeve

Serial Number



WARNING: Follow all leak check procedures carefully in this manual prior to barbecue operation. Do this even if barbecue was dealer assembled.

NOTICE TO INSTALLER: These instructions must be left with the owner and the owner should keep them for future use.

FOR YOUR SAFETY: Do not store or use gasoline or other flammable vapors and liquids in the vicinity of this or any other appliance.

WARNING: Do not try to light this appliance without reading "Lighting" instructions section of this manual.

THIS GAS APPLIANCE IS DESIGNED FOR OUTDOOR USE ONLY.

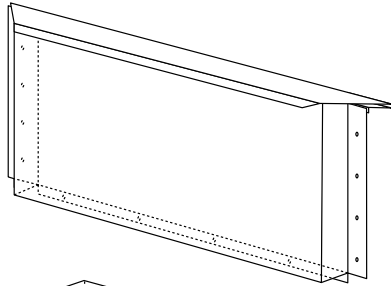
FOR YOUR SAFETY

If you smell gas:

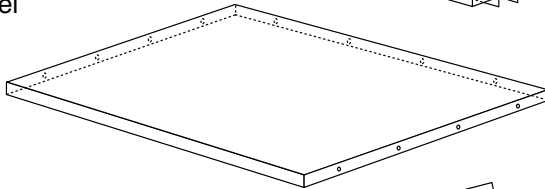
1. Shut off gas to the appliance.
2. Extinguish any open flame.
3. Open lid.
4. If odor continues, immediately call your gas supplier or your fire department.

REMOVE PACKAGED PARTS

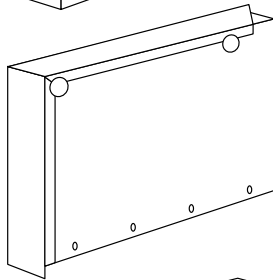
Back panel



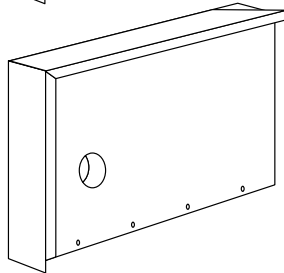
Bottom panel



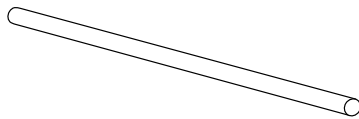
Left panel



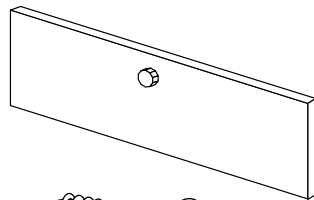
Right panel



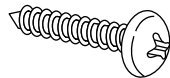
Rail (2)



Front door



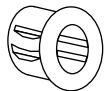
8-7/8 screw (22)



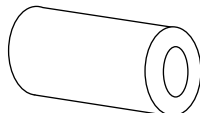
Nylon washer (4)



Bushing (2)



Spacer (2)



ASSEMBLE BACK PANEL TO BOTTOM PANEL

Place the back panel perpendicular to the bottom panel. Insert screws and tighten. Figure 1.

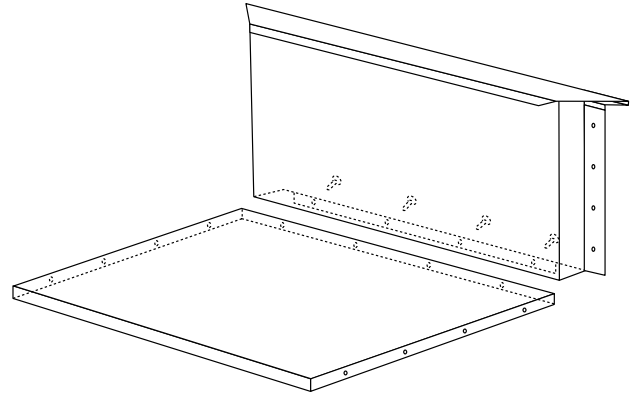


Figure 1

ASSEMBLE LEFT PANEL TO BOTTOM PANEL

Place the left panel perpendicular to the bottom panel. Insert screws and tighten. Figure 2.

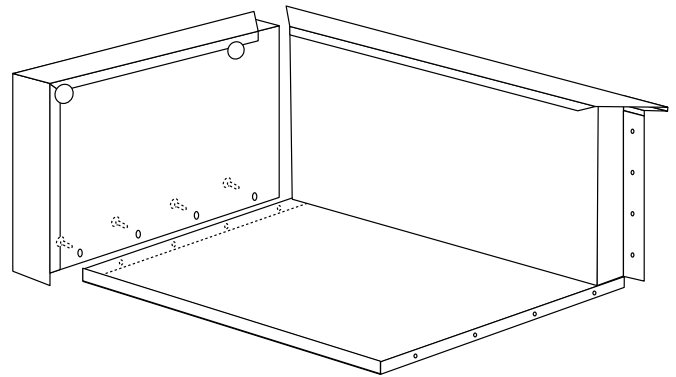


Figure 2

ASSEMBLE RAILS TO LEFT PANEL

Insert the rails into the left panel. Figure 3.

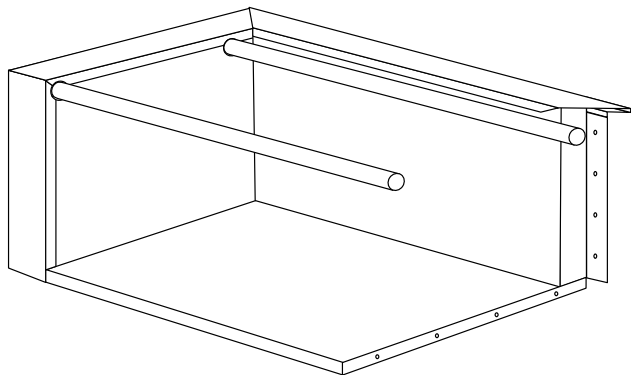
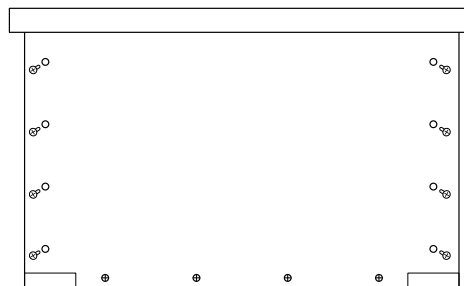


Figure 3

ASSEMBLE BACK PANEL TO SIDE PANELS

Insert screws along the side of the back panel. Tighten. Figure 5.



View from back

Figure 5

ASSEMBLE RIGHT PANEL TO BOTTOM PANEL

Place the right panel perpendicular to the bottom panel. Guide the rails into the right panel. Insert screws and tighten. Figure 4.

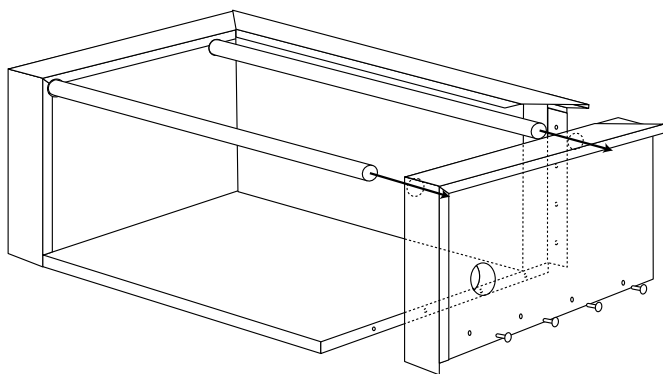
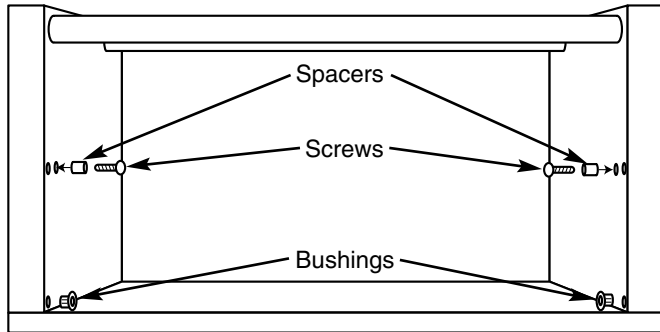


Figure 4

ADD SPACERS AND BUSHINGS

Push in the bushings into the bottom holes of the side panels. Insert screw through the spacer and into the second hole in the middle of the side panels at the cutout. Tighten. Figure 6.



View from front

Figure 6

ASSEMBLE DOOR TO SIDE PANELS

Add two washers on each end of the wire. Insert the bottom wire of the door into the bushing of the left panel. Pull the wire up and in to insert it into the bushing in the right panel. Figure 6.

View from front

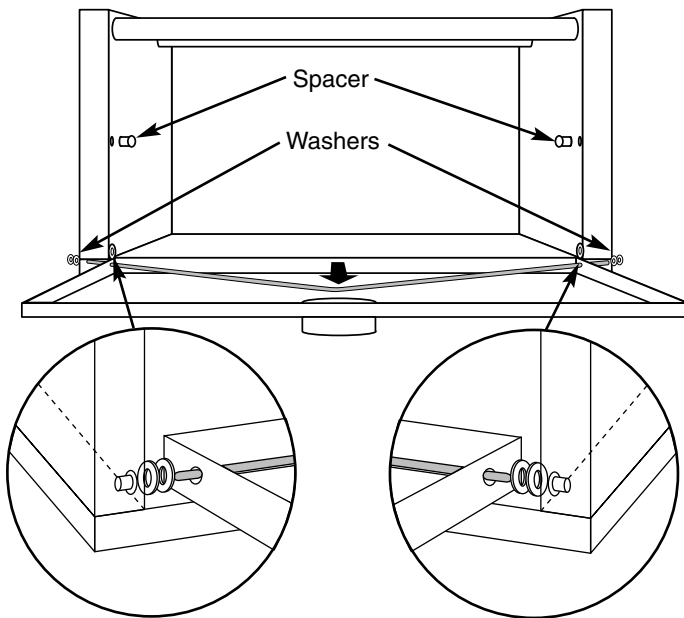
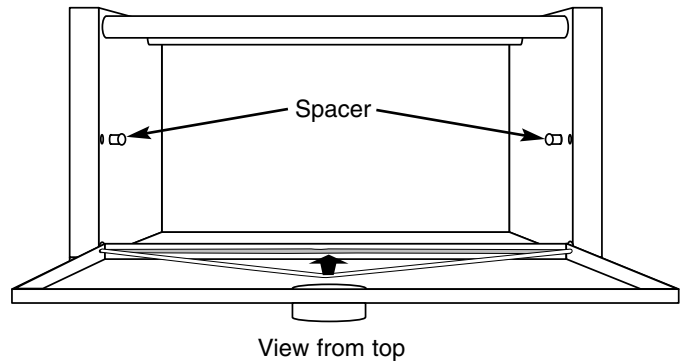


Figure 7

Once the bottom wire is in place, push it down so it snaps into the bottom flange to lock it in place. Figure 8. Close the door. Turn the knob clockwise to close. Figure 9.



View from top

Figure 8

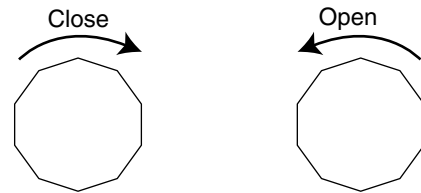


Figure 9